

**4236LT**

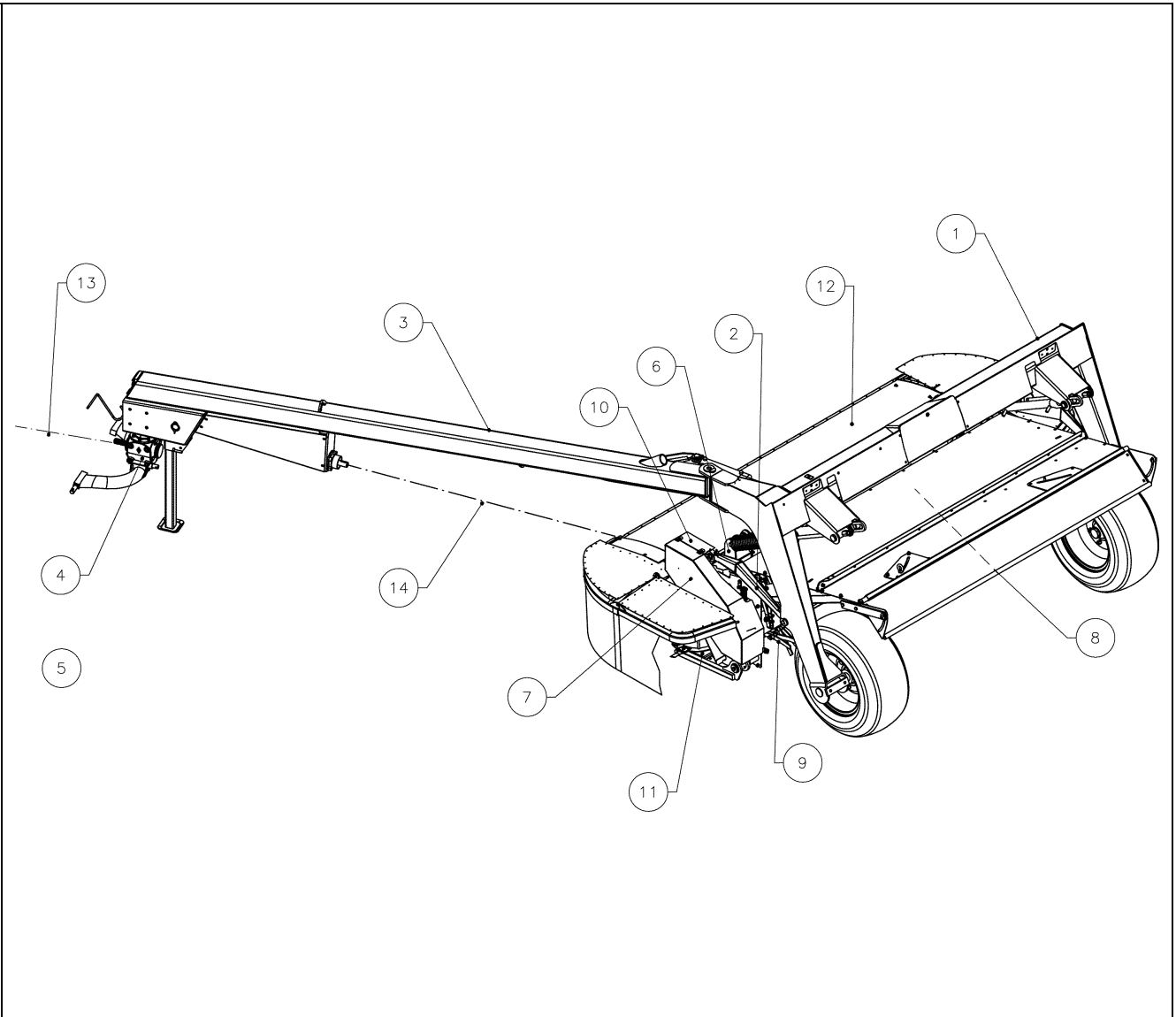
## **Spare Parts Manual**

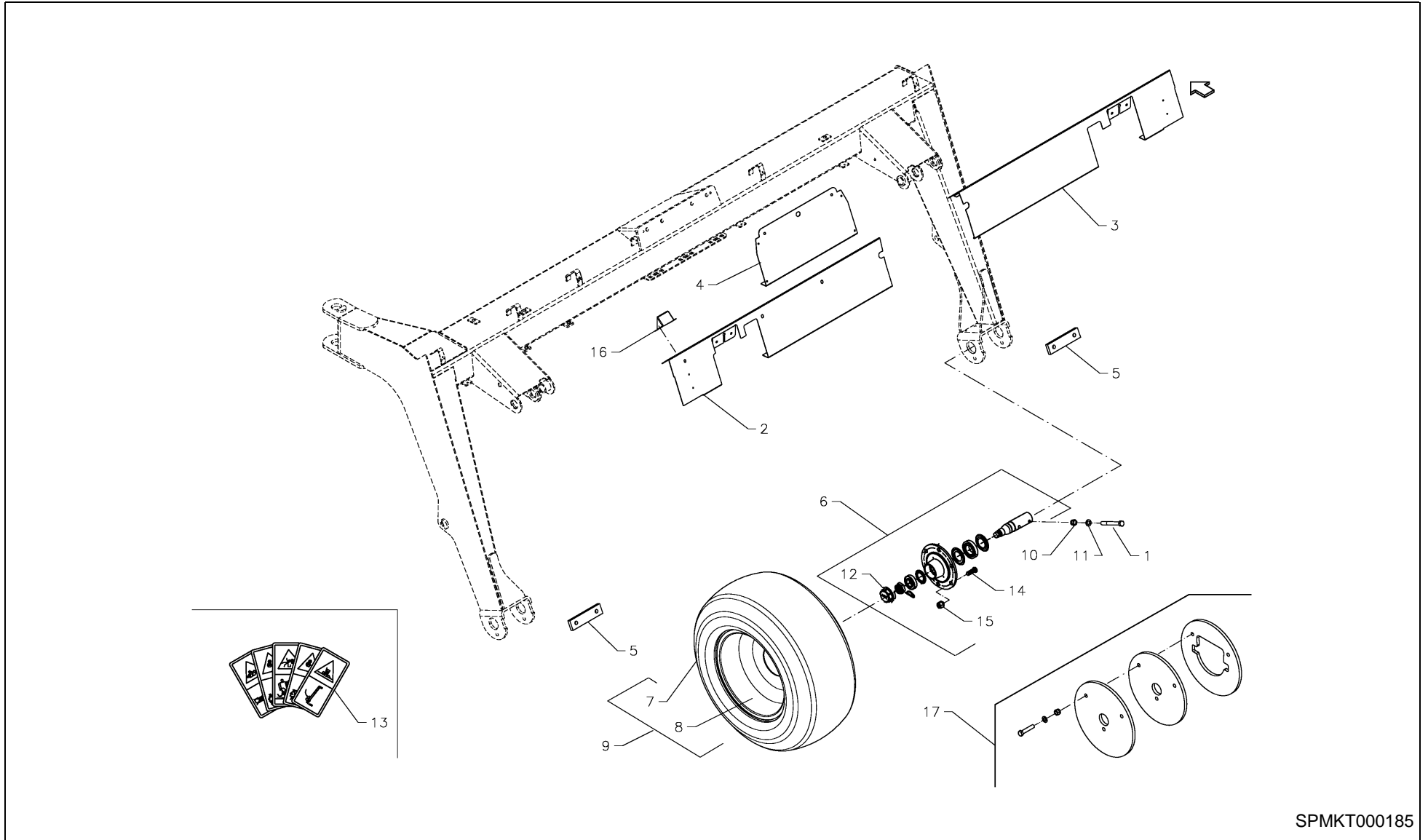
|                         |                         |
|-------------------------|-------------------------|
| Article number:         | 90.000.171 Index 117-03 |
| Language:               | EN                      |
| Production year (from): | 2007                    |
| Serial No. (from)       | 398.979 < Mach. ID <=   |



**4236LT / Table of Contents**

| PosNo. | Assembly group                   | Page |
|--------|----------------------------------|------|
| 1      | PRIMARY FRAME, WHEEL             | 1    |
| 1      | LIGHTING KIT                     | 23   |
| 2      | CONNECTING ARM                   | 2    |
| 2      | SPRING, HYDRAULIC CYLINDER       | 3    |
| 3      | DRAWBAR                          | 4    |
| 4      | SWIVEL GEAR, COMPLETE            | 5    |
| 5      | HYDRAULIC                        | 6    |
| 5      | HYDRAULIC, DRAWBAR               | 7    |
| 5      | OPTIONAL EQUIPMENT               | 24   |
| 6      | SECONDARY FRAME                  | 8    |
| 7      | TRANSMISSION                     | 9    |
| 8      | CONDITIONER PLATE                | 10   |
| 9      | ROTOR                            | 11   |
| 10     | MAIN GEAR BOX, COMPLETE          | 12   |
| 11     | CUTTERBAR 1                      | 13   |
| 11     | TRANSMISSION, CUTTERBAR          | 14   |
| 11     | TRANSMISSION, CUTTERBAR + PROFIT | 15   |
| 11     | CUTTERBAR 2                      | 16   |
| 12     | GUARD 1                          | 17   |
| 12     | GUARD 2                          | 18   |
| 12     | REAR END & DEFLECTOR PLATE       | 19   |
| 13     | PTO SHAFT 1                      | 20   |
| 14     | PTO SHAFT 2                      | 21   |
| 14     | FRICTION CLUTCH                  | 22   |

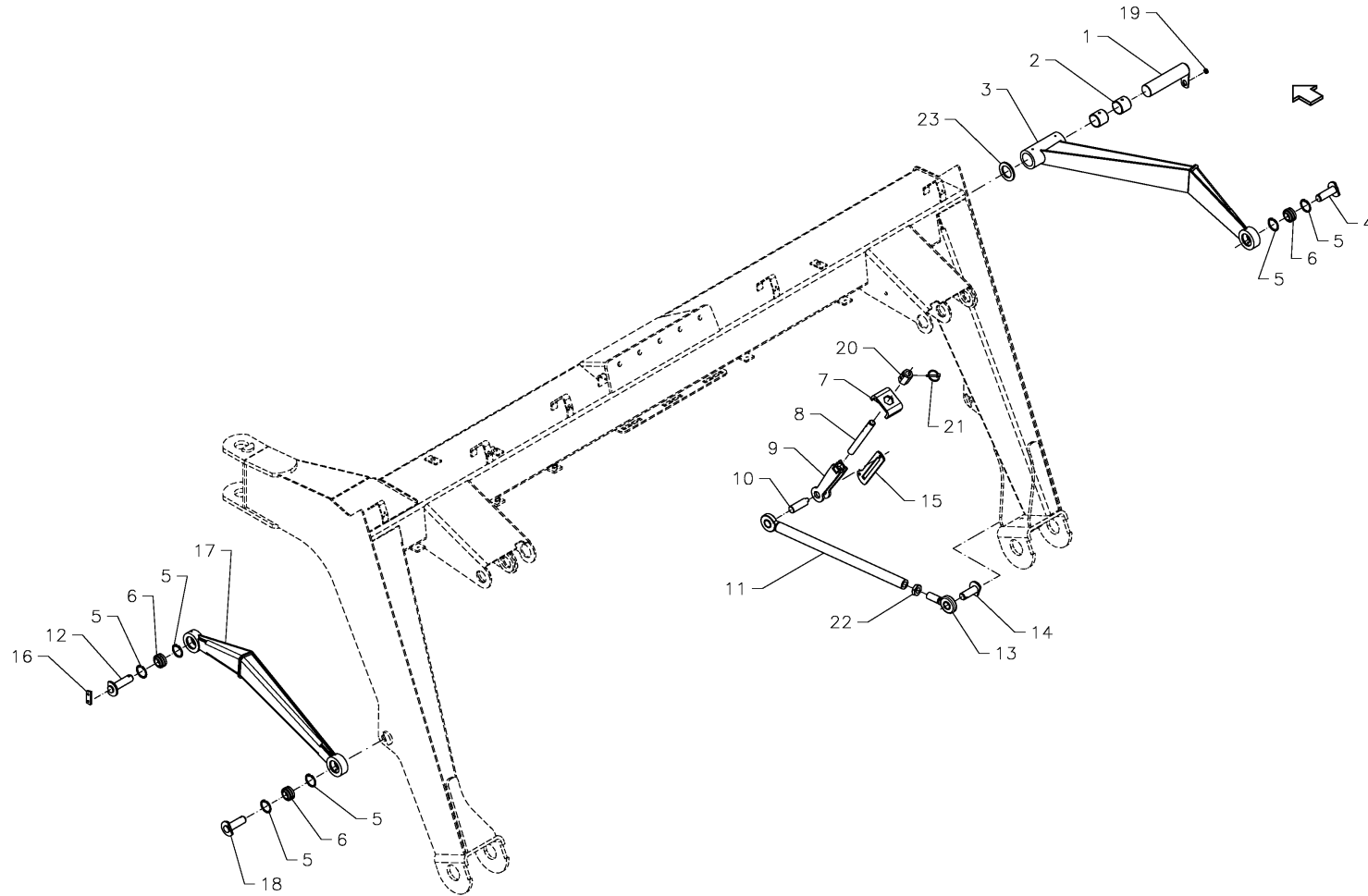




SPMKT000185

**4236LT / Primary frame, wheel**

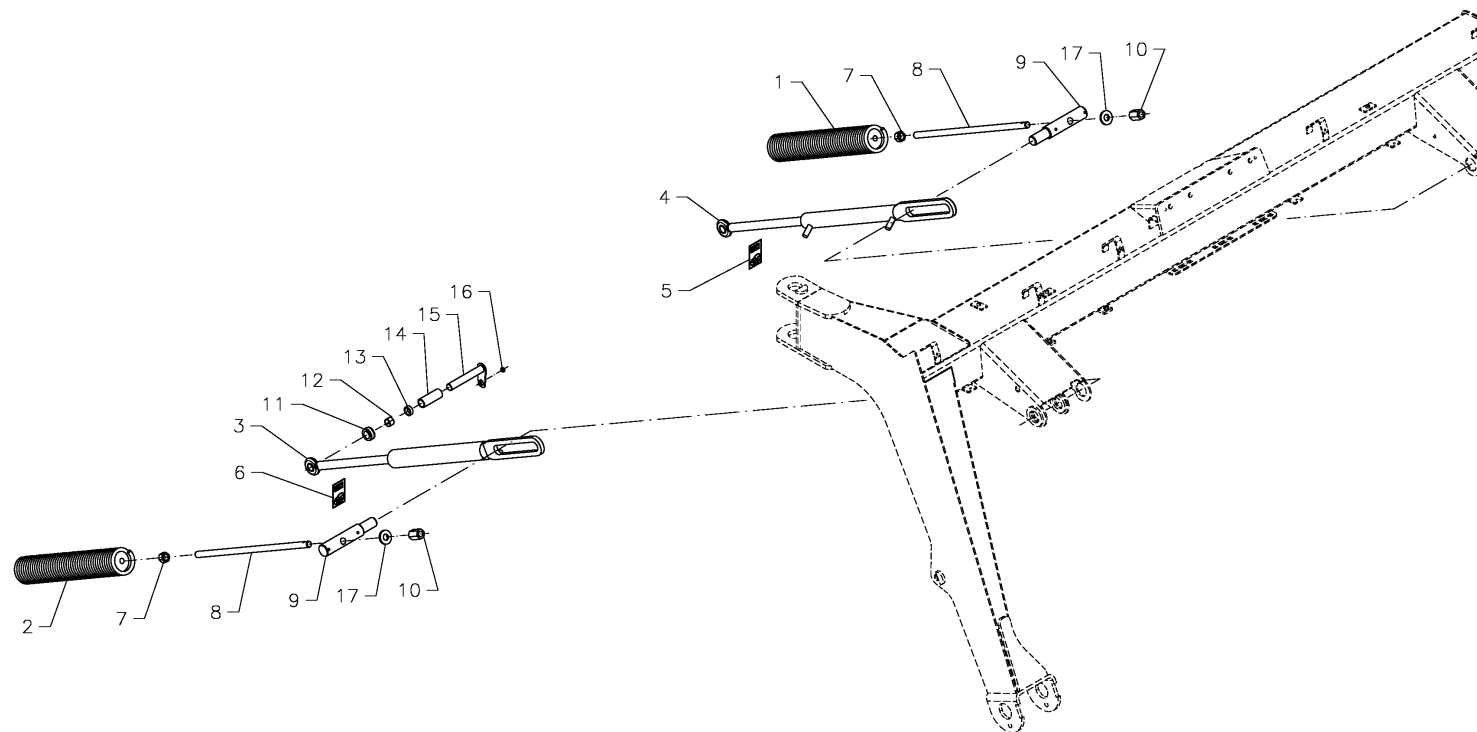
| PosNo. | Part No.     | Qty. | Description                     | Remark                |
|--------|--------------|------|---------------------------------|-----------------------|
| 1      | KG00363161   |      | STEEL BOLT                      | M 16x140              |
| 2      | KT9054200094 | 1    | GUARD, LH                       |                       |
| 3      | KT9054300094 | 1    | GUARD, RH                       |                       |
| 4      | KT9052900094 | 1    | GUARD, CENTER                   |                       |
| 5      | KT9040200094 | 2    | BRACKET                         |                       |
| 6      | KT99434056   | 2    | HUB, COMPLETE                   |                       |
| 7      | KT99432375   | 2    | TYRE                            | 380/55x17 TL 138A8 AW |
| 8      | KT99432066   | 2    | RIM                             | 13.00 - 17            |
| 9      | KT26422000   | 2    | WHEEL, COMPLETE                 |                       |
| 10     | KG01064461   |      | LOCK NUT                        | M 16                  |
| 11     | KG01267761   |      | WASHER                          | M 16                  |
| 12     | KT99434603   | 2    | COVER                           |                       |
| 13     | KT90186000   | 1    | SAFETY DECAL SET                |                       |
| 14     | KT99434601   | 6    | STUD                            |                       |
| 15     | KT99434602   | 6    | NUT                             |                       |
| 16     | KT9040100094 | 1    | BRACKET                         |                       |
| 17     | KT90783000   | 1    | COUNTER BALANCE BLOCK, COMPLETE |                       |



SPMKT000142

## 4236LT / Connecting arm

| PosNo. | Part No.     | Qty. | Description     | Remark          |
|--------|--------------|------|-----------------|-----------------|
| 1      | KT9046510061 | 1    | COTTER BOLT     | ∅ 45            |
| 2      | KT99158088   | 2    | GLACIER BUSHING | PM 4545 DX      |
| 3      | KT9047900094 | 1    | ARM, RH         |                 |
| 4      | KT9036100061 | 1    | COTTER BOLT     |                 |
| 5      | KG01128700   |      | CIRCLIP         | B 47x1,75       |
| 6      | KT99160045   |      | BEARING         | ∅ 25 GE25FO 2RS |
| 7      | KT9087800061 | 1    | CONSOLE         |                 |
| 8      | KT9047300061 | 1    | SPINDLE         |                 |
| 9      | KT9048200061 | 1    | CONSOLE         |                 |
| 10     | KT9057700061 | 1    | BOLT            |                 |
| 11     | KT9048300094 | 1    | ARM             |                 |
| 12     | KT9047200061 | 1    | COTTER BOLT     |                 |
| 13     | KT99160047   | 1    | BEARING         | ∅ 25 GAR25UK    |
| 14     | KT9036200061 | 1    | COTTER BOLT     |                 |
| 15     | KT9057800061 | 1    | PLATE           |                 |
| 16     | KT9069000061 | 1    | PATCH           |                 |
| 17     | KT9048000094 | 1    | ARM, LH         |                 |
| 18     | KT9036100061 | 1    | COTTER BOLT     |                 |
| 19     | KT3130700061 | 1    | RING            |                 |
| 20     | KT9089700061 | 1    | NUT             |                 |
| 21     | KT99331901   |      | LINCH PIN       | ∅ 6             |
| 22     | KT99307773   | 1    | COUNTER NUT     | M 24            |
| 23     | KT9094100061 | 1    | WASHER          |                 |

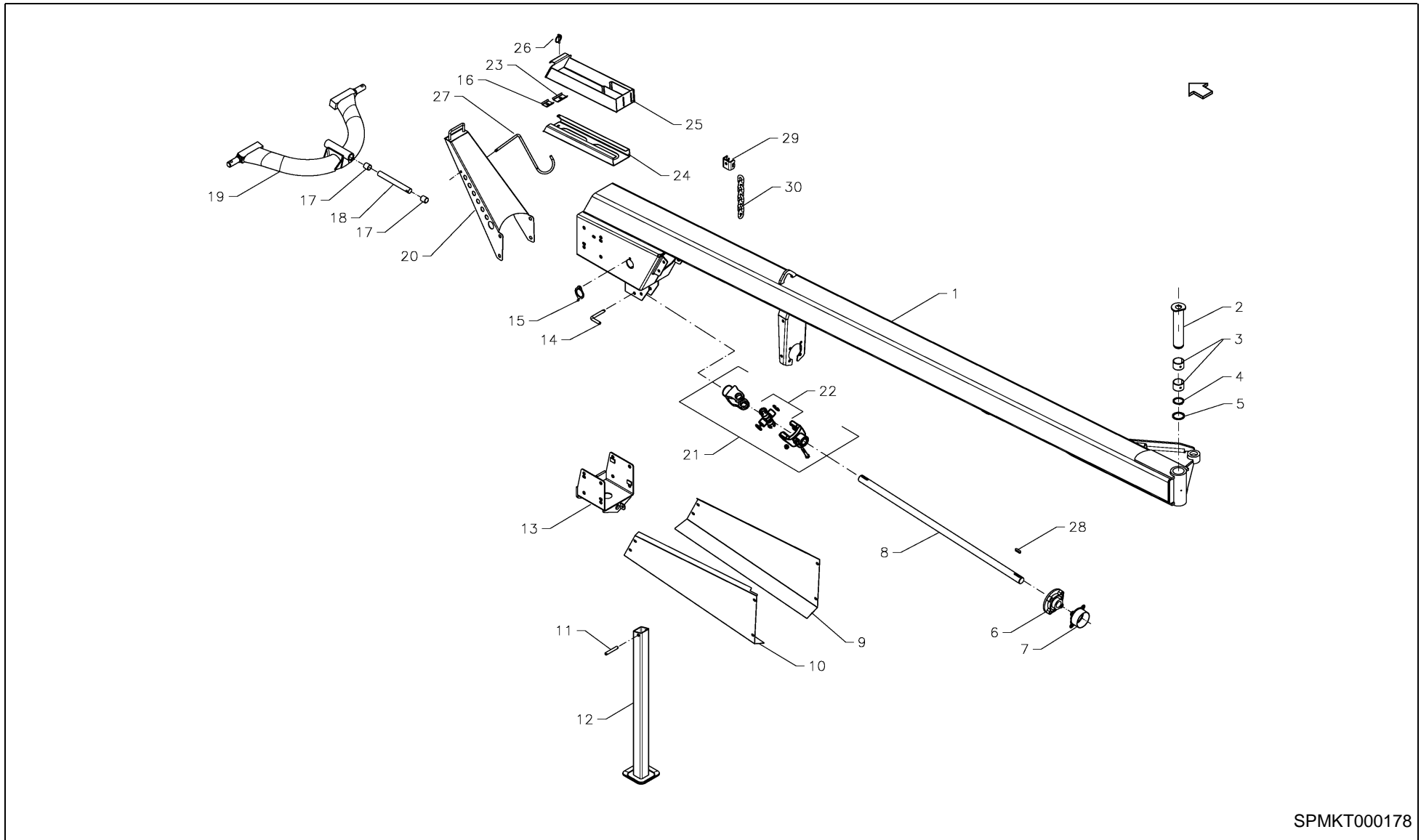


SPMKT000278



**4236LT / Spring, hydraulic cylinder**

| PosNo. | Part No.     | Qty. | Description        | Remark          |
|--------|--------------|------|--------------------|-----------------|
| 1      | KT9072900064 | 1    | SPRING             | n = 40 - ø14 mm |
| 2      | KT9073100064 | 1    | SPRING             | n = 40 - ø15 mm |
| 3      | KT9050000094 | 1    | HYDRAULIC CYLINDER |                 |
| 4      | KT9049900094 | 1    | HYDRAULIC CYLINDER |                 |
| 5      | KT99413147   | 1    | GASKET KIT         |                 |
| 6      | KT99413148   | 1    | GASKET KIT         |                 |
| 7      | KG01043861   |      | COUNTER NUT        | M 22            |
| 8      | KT9051400061 | 2    | SPINDLE            |                 |
| 9      | KT9036300061 | 2    | SHAFT              |                 |
| 10     | KT6244300061 | 2    | NUT                |                 |
| 11     | KT6244500061 | 2    | BEARING            |                 |
| 12     | KT99158065   | 2    | GLACIER BUSHING    | PM 2520 DX      |
| 13     | KT9046800061 | 2    | SPACER             |                 |
| 14     | KT9046700061 | 2    | SPACER             |                 |
| 15     | KT9046600061 | 2    | COTTER BOLT        | ø25 mm          |
| 16     | KT3130700061 | 2    | RING               |                 |
| 17     | KT68312000   | 2    | WASHER             |                 |

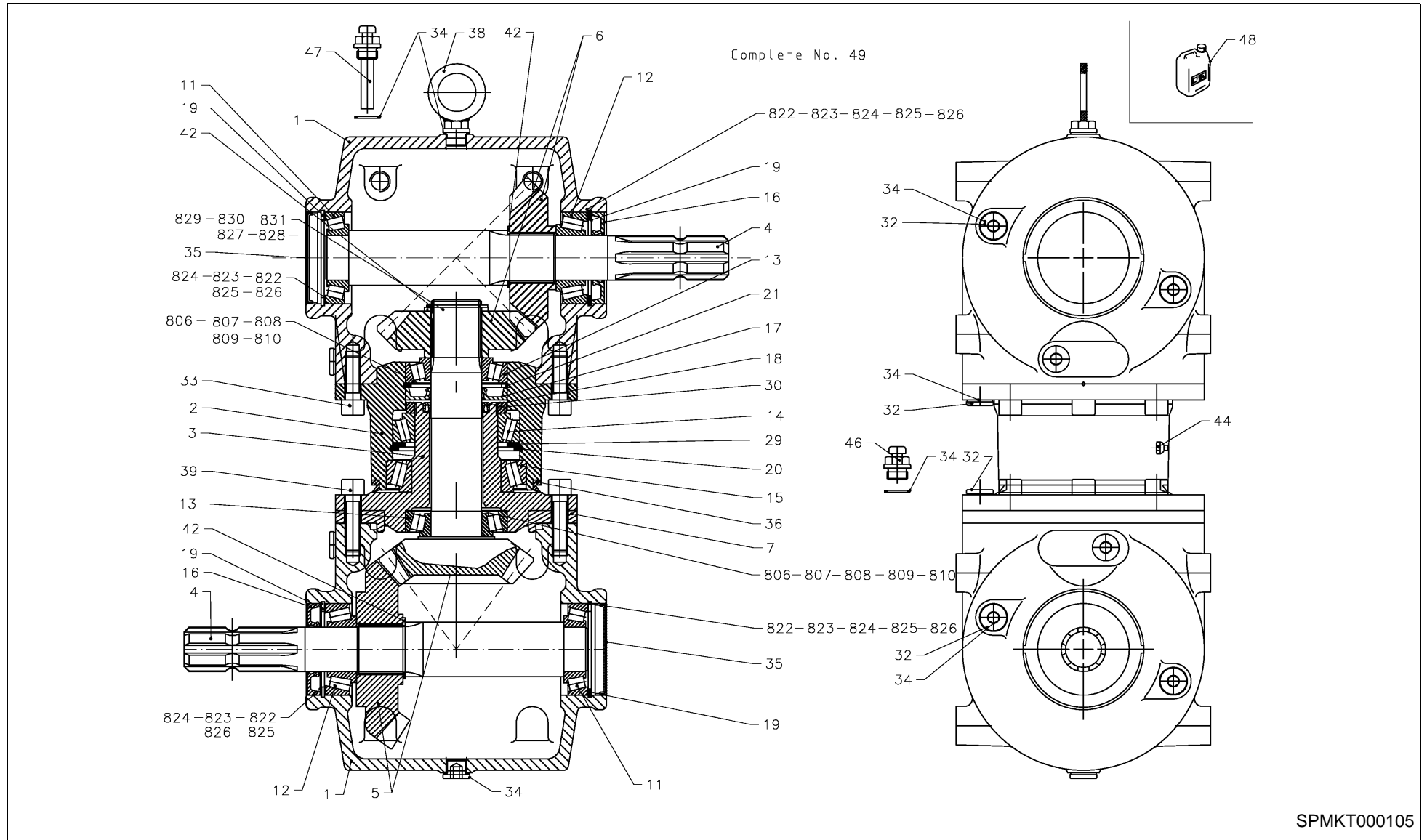


SPMKT000178

**4236LT / Drawbar**

| PosNo. | Part No.     | Qty. | Description               | Remark                                  |
|--------|--------------|------|---------------------------|---|
| 1      | KT9033100094 | 1    | DRAWBAR                   |   |
| 2      | KT6823110061 | 1    | SHAFT                     |   |
| 3      | KT99158090   | 2    | GLACIER BUSHING           | PM 5040 DX                              |
| 4      | KG01110400   |      | CIRCLIP                   | A 50-2                                  |
| 5      | KT99350537   |      | SUPPORTING DISC           | SS $\varnothing$ 50- $\varnothing$ 62x3 |
| 6      | KT99125012   | 1    | FLANGE BEARING            | $\varnothing$ 35                        |
| 7      | KT9057600061 | 1    | BRACKET                   |   |
| 8      | KT9033200001 | 1    | SHAFT                     |   |
| 9      | KT9033300094 | 1    | GUARD, RH                 |   |
| 10     | KT9033400094 | 1    | GUARD, LH                 |   |
| 11     | KT6056800061 | 1    | COTTER BOLT               |   |
| 12     | KT3877810094 | 1    | SUPPORT LEG               |   |
| 13     | KT9032500094 | 1    | CONSOLE                   |   |
| 14     | KT3626300061 | 1    | PIN BOLT                  |   |
| 15     | KT2844700061 | 2    | COVER                     |   |
| 16     | KT9075100061 | 1    | PLATE                     |   |
| 17     | KT99158066   | 2    | GLACIER BUSHING           | PM2530 DX                               |
| 18     | KT3877610061 | 1    | SHAFT                     |   |
| 19     | KT3877520094 | 1    | YOKE                      |   |
| 20     | KT9074800094 | 1    | CONSOLE                   |   |
| 21     | KT99244485   | 1    | UNIVERSAL JOINT, COMPLETE |   |
| 22     | KT99244498   | 1    | CROSS, COMPLETE           |   |
| 23     | KT9075000061 | 1    | PLATE                     |   |
| 24     | KT9074600094 | 1    | CONSOLE                   |   |
| 25     | KT9074700094 | 1    | TOOL BOX                  |   |
| 26     | KT99331901   |      | LINCH PIN                 | $\varnothing$ 6                         |
| 27     | KT9074900061 | 1    | HOOK                      |   |
| 28     | KG01309000   | 1    | KEY                       | 10-8-45                                 |
| 29     | KT9088100061 | 1    | BRACKET                   |   |
| 30     | KT9089900061 | 1    | CHAIN                     | L = 750 mm                              |

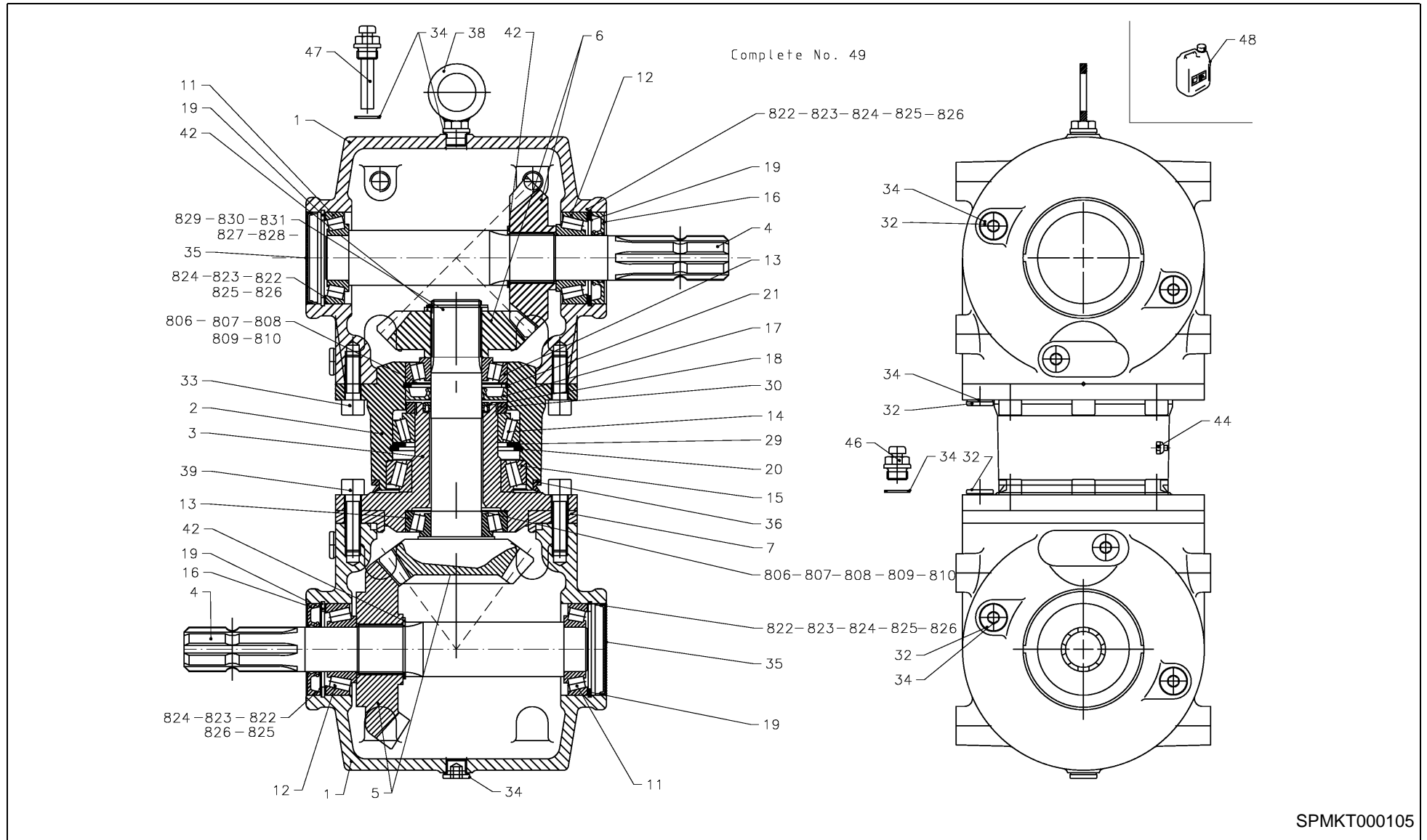
# 4236LT / Swivel gear, complete



## 4236LT / Swivel gear, complete

| PosNo. | Part No.   | Qty. | Description                   | Remark     |
|--------|------------|------|-------------------------------|------------|
| 1      | KT99255100 | 2    | GEAR BOX CASING               |            |
| 2      | KT99255101 | 1    | GEAR BOX CASING               |            |
| 3      | KT99255102 | 1    | GEAR BOX CASING               |            |
| 4      | KT99255103 | 2    | SHAFT                         |            |
| 5      | KT99255104 | 1    | GEAR WHEEL SET                |            |
| 6      | KT99255105 | 1    | GEAR WHEEL SET                |            |
| 7      | KT99255106 | 1    | SPACER                        |            |
| 11     | KT99255107 | 2    | ROLLER BEARING                | 30207 A    |
| 12     | KT99255108 | 2    | ROLLER BEARING                | 32207 A    |
| 13     | KT99255109 | 2    | ROLLER BEARING                | 30207 A    |
| 14     | KT99255110 | 1    | ROLLER BEARING                | 32013 XA   |
| 15     | KT99255111 | 2    | ROLLER BEARING                | 32014 XA   |
| 16     | KT99255112 | 2    | SEALING RING                  | 35x72x10   |
| 17     | KT99255113 | 1    | SEALING RING                  | 40x80x10   |
| 18     | KT99255114 | 1    | SEALING RING                  | 40x52x7    |
| 19     | KT99255115 | 4    | CIRCLIP                       | 72x2,5     |
| 20     | KT99255116 | 2    | CIRCLIP                       | 100x3,0    |
| 21     | KT99255117 | 1    | CIRCLIP                       | 80x2,5     |
| 29     | KT99255118 | 1    | SPACER                        | 90x100x3,5 |
| 30     | KT99255119 | 1    | RING                          | M65x2      |
| 32     | KT99255120 | 8    | PLUG                          |            |
| 33     | KT99255121 | 6    | HEXAGON SOCKET HEAD CAP SCREW | M12x35     |
| 34     | KT99255122 | 12   | GASKET                        | ø16xø20    |
| 35     | KT99255123 | 2    | CAP                           | ø72x9      |
| 36     | KT99255124 | 1    | SEALING RING                  |            |
| 38     | KT99255125 | 1    | BOLT                          |            |
| 39     | KT99255126 | 6    | HEXAGON SOCKET HEAD CAP SCREW | M 12x45    |
| 42     | KT99255127 | 3    | CIRCLIP                       | 39x1,75    |
| 44     | KT99255128 | 1    | GREASE NIPPLE                 |            |
| 46     | KT99255129 | 1    | VALVE                         |            |
| 47     | KT99255130 | 1    | VALVE                         |            |
| 48     | KT10101000 | 1    | OIL CAN                       | 1 Ltr.     |
| 49     | KT99255001 | 2    | SWIVEL GEAR, COMPLETE         |            |
| 806    | KT99255131 | 2    | SHIM                          | 72x80x0,15 |
| 807    | KT99255132 | 2    | SHIM                          | 72x80x0,1  |
| 808    | KT99255133 | 2    | SHIM                          | 72x80x0,3  |
| 809    | KT99255134 | 2    | SHIM                          | 72x80x0,5  |
| 810    | KT99255135 | 2    | SHIM                          | 70x80x1,0  |
| 822    | KT99255136 | 4    | SHIM                          | 62x72x0,15 |
| 823    | KT99255137 | 4    | SHIM                          | 62x72x0,1  |

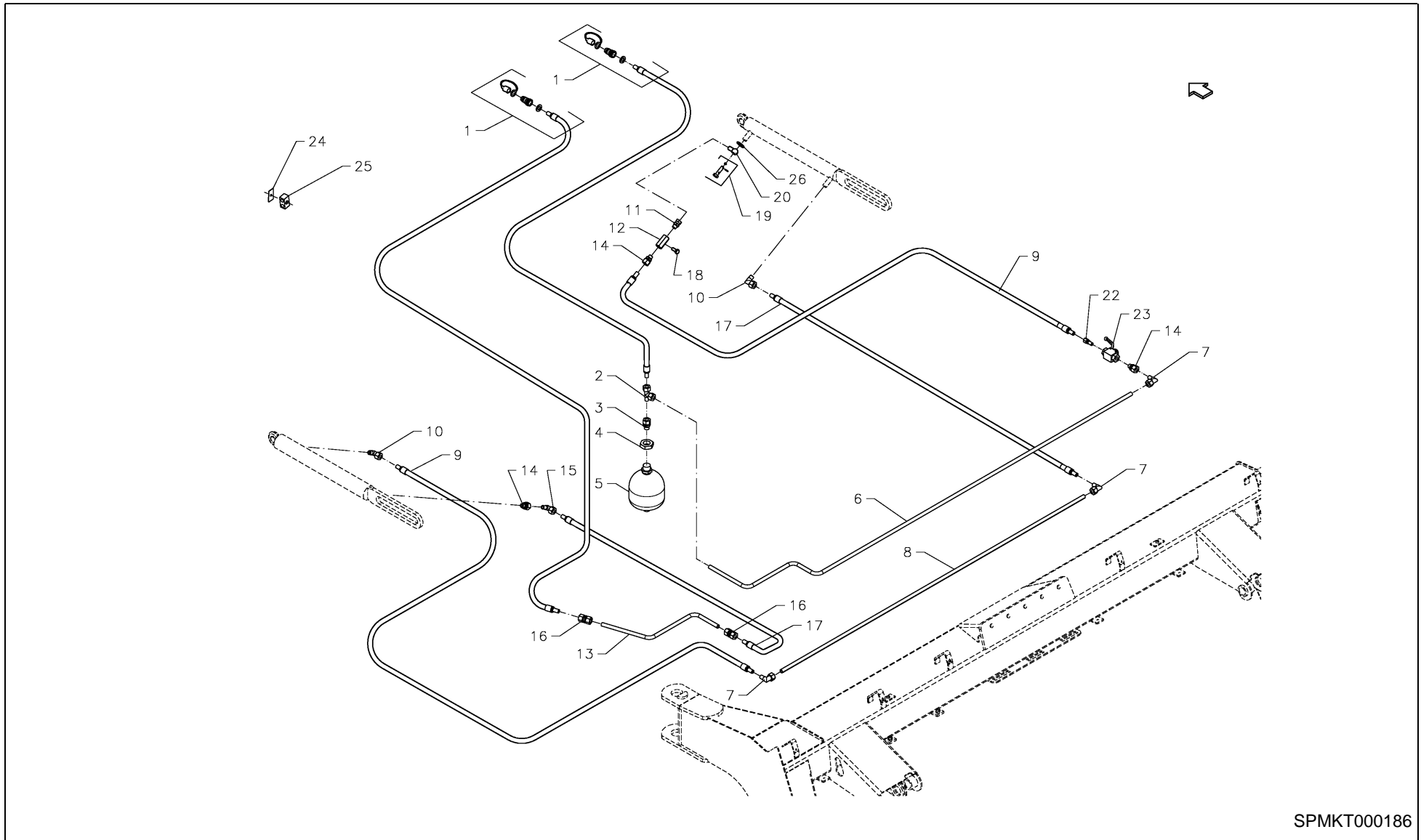
# 4236LT / Swivel gear, complete



SPMKT000105

**4236LT / Swivel gear, complete**

| PosNo. | Part No.   | Qty. | Description | Remark     |
|--------|------------|------|-------------|------------|
| 824    | KT99255138 | 4    | SHIM        | 62x72x0,3  |
| 825    | KT99255139 | 4    | SHIM        | 62x72x0,5  |
| 826    | KT99255140 | 2    | SHIM        | 62x72x1,0  |
| 827    | KT99255141 | 2    | SHIM        | 40x50x2,0  |
| 828    | KT99255142 | 1    | SHIM        | 40x50x0,5  |
| 829    | KT99255143 | 1    | SHIM        | 40x50x0,3  |
| 830    | KT99255144 | 1    | SHIM        | 40x50x0,1  |
| 831    | KT99255145 | 1    | SHIM        | 40x50x0,15 |

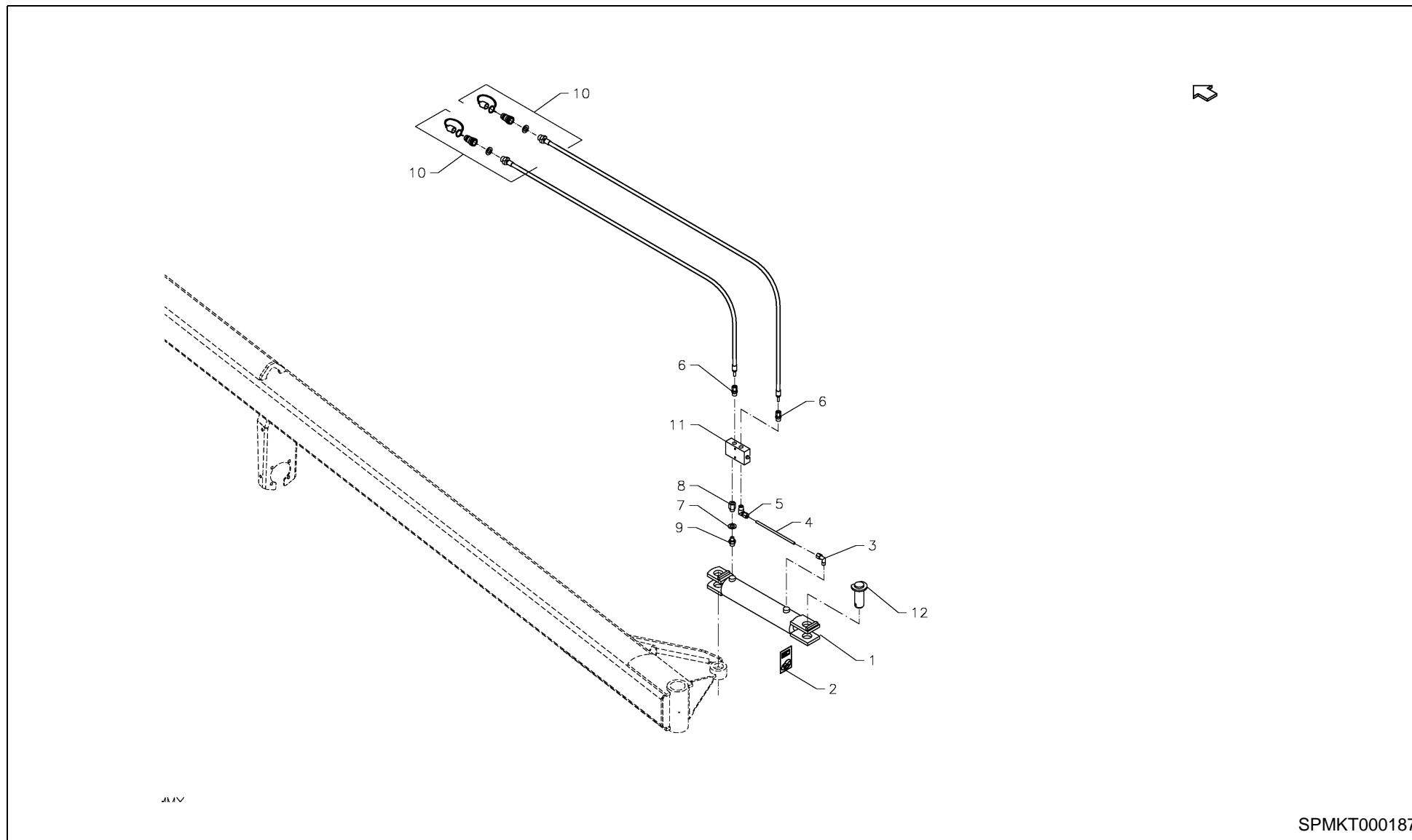


SPMKT000186



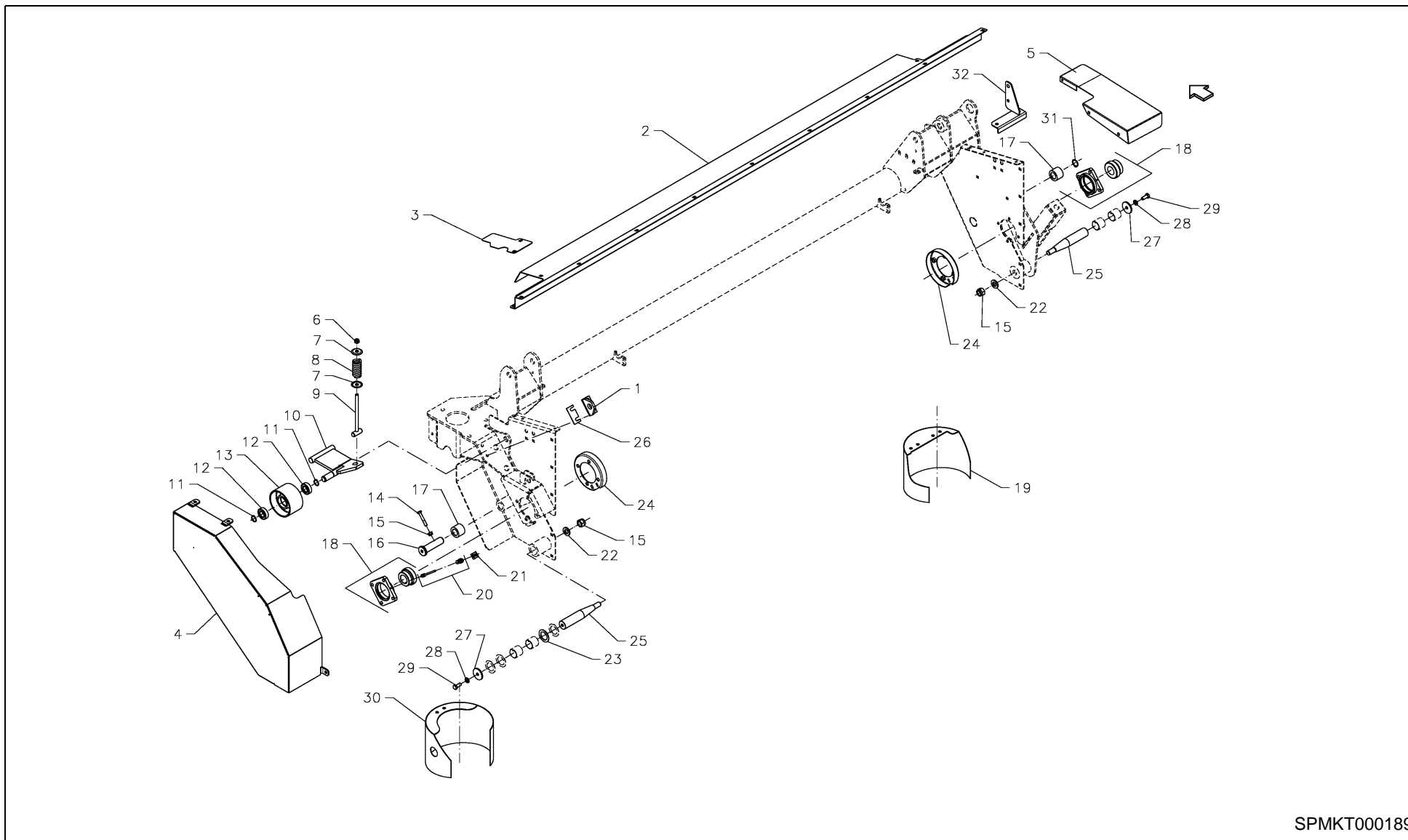
**4236LT / Hydraulic**

| PosNo. | Part No.     | Qty. | Description          | Remark      |
|--------|--------------|------|----------------------|-------------|
| 1      | KT90667000   | 2    | HYDRAULIC HOSE       | L = 6370 mm |
| 2      | KT99404242   |      | T-CONNECTION         | ø15         |
| 3      | KT99402113   |      | STRAIGHT CONNECTION  | ø 15 - 1/2" |
| 4      | KT99307775   |      | COUNTER NUT          | M 33x1,5    |
| 5      | KT99408914   | 1    | ACCUMULATOR          | 0,75 L      |
| 6      | KT90687000   | 1    | HYDRAULIC PIPE       | L = 2448 mm |
| 7      | KT99403015   |      | ELBOW CONNECTION     | ø15         |
| 8      | KT90662000   | 1    | HYDRAULIC PIPE       | L = 2218 mm |
| 9      | KT90654000   | 1    | HYDRAULIC HOSE       | L = 1170 mm |
| 10     | KT99403239   |      | ELBOW CONNECTION     | ø 15-3/8"   |
| 11     | KT99402921   |      | ADAPTOR              | 3/8"        |
| 12     | KT9065800061 | 1    | STRAIGHT CONNECTION  |             |
| 13     | KT90688000   | 1    | HYDRAULIC PIPE       | L = 720 mm  |
| 14     | KT99402114   |      | STRAIGHT CONNECTION  | ø15 - 3/8"  |
| 15     | KT99403211   |      | ELBOW CONNECTION     | ø15         |
| 16     | KT99402007   |      | STRAIGHT CONNECTION  | ø 15        |
| 17     | KT90655000   | 1    | HYDRAULIC HOSE       | L = 690 mm  |
| 18     | KT99402904   |      | PLUG                 | 1/4"        |
| 19     | KT67602000   |      | BANJO BOLT, COMPLETE |             |
| 20     | KT99402941   |      | BANJO CONNECTION     |             |
| 22     | KT99402922   | 1    | STRAIGHT CONNECTION  | ø15 - 3/8"  |
| 23     | KT99407410   | 1    | VALVE                | 3/8"        |
| 24     | KT99408943   | 1    | COVER PLATE          |             |
| 25     | KT99408934   | 1    | PIPE CLIP            | ø15-ø15     |
| 26     | KT99428537   | 1    | WASHER               | ø13-ø18x1,5 |



**4236LT / Hydraulic, drawbar**

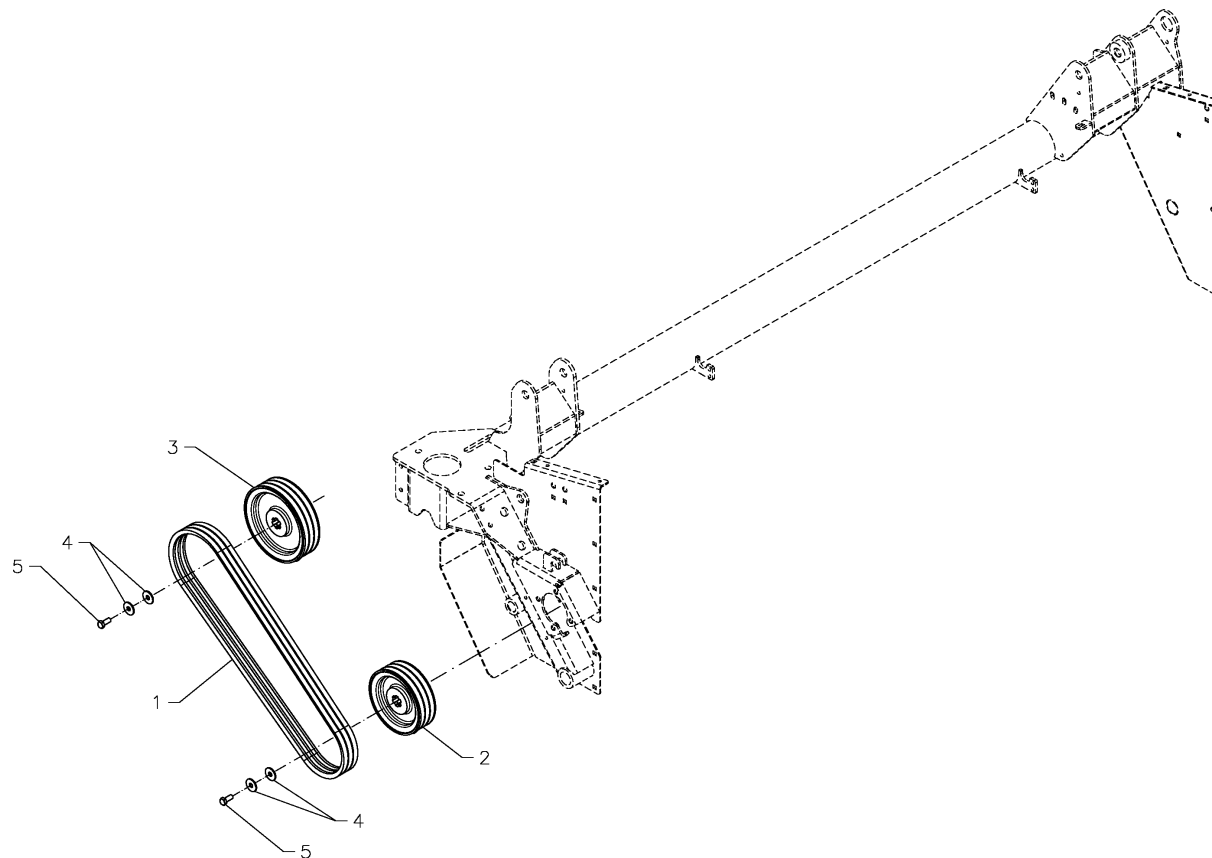
| PosNo. | Part No.     | Qty. | Description         | Remark      |
|--------|--------------|------|---------------------|-------------|
| 1      | KT9040300094 | 1    | HYDRAULIC CYLINDER  |             |
| 2      | KT99413144   |      | GASKET KIT          |             |
| 3      | KT99403220   |      | ELBOW CONNECTION    | ø8-1/4"     |
| 4      | KT90678000   | 1    | HYDRAULIC PIPE      | L = 203 mm  |
| 5      | KT99403221   |      | ELBOW CONNECTION    | ø8-3/8"     |
| 6      | KT99402119   |      | STRAIGHT CONNECTION | ø8-3/8"     |
| 7      | KT99428514   |      | SEALING WASHER      |             |
| 8      | KT49143000   | 1    | ADAPTOR             | 3/8"-1/4"   |
| 9      | KT99402353   |      | ADAPTOR             | 1/4"-3/8"   |
| 10     | KT90677000   | 2    | HYDRAULIC HOSE      | L = 6120 mm |
| 11     | KT99407008   | 1    | NON-RETURN VALVE    |             |
| 12     | KT9051200061 | 2    | COTTER BOLT         |             |



SPMKT000189

## 4236LT / Secondary frame

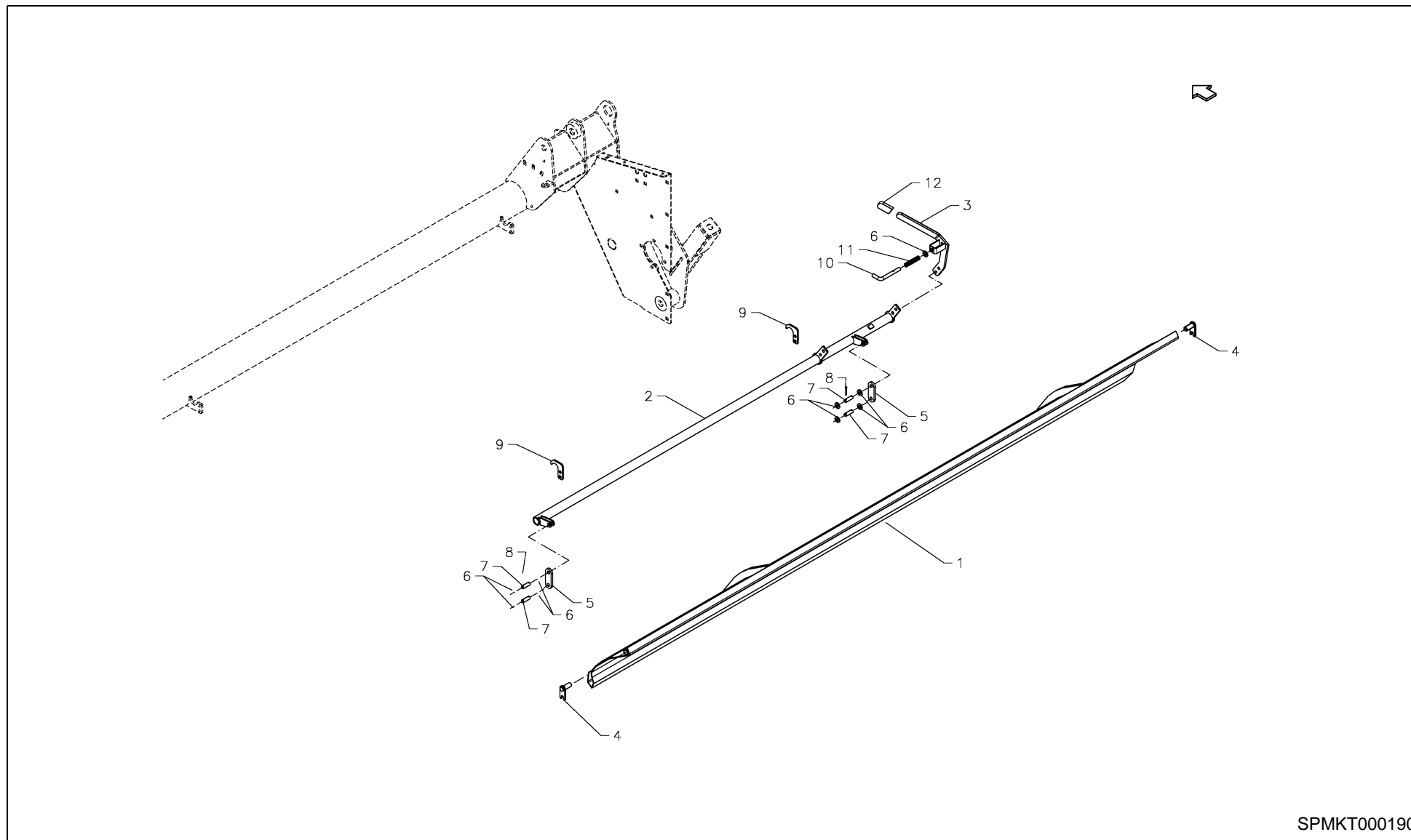
| PosNo. | Part No.     | Qty. | Description       | Remark     |
|--------|--------------|------|-------------------|------------|
| 1      | KT9053510061 | 1    | BRACKET           |            |
| 2      | KT9049000094 | 1    | PLATE             |            |
| 3      | KT9047100094 | 1    | PLATE             |            |
| 4      | KT9034400094 | 1    | GUARD             |            |
| 5      | KT9038210094 | 1    | GUARD             |            |
| 6      | KG01064261   | 1    | LOCK NUT          | M 12       |
| 7      | KT9063000061 | 2    | WASHER            |            |
| 8      | KT4837700061 | 1    | SPRING            |            |
| 9      | KT9053600061 | 1    | SPINDLE           |            |
| 10     | KT9034910086 | 1    | CONSOLE           |            |
| 11     | KG01108300   |      | CIRCLIP           | A 25x1,2   |
| 12     | KG01378900   | 2    | BALL BEARING      | 6205 2RS   |
| 13     | KT6245600001 | 1    | JOCKEY ROLLER     | 4SPBx130   |
| 14     | KG00355761   |      | STEEL BOLT        | M 10x65    |
| 15     | KG01064661   |      | LOCK NUT          | M 20       |
| 16     | KT9035200061 | 1    | SHAFT             |            |
| 17     | KT9035300061 | 2    | SPACER            |            |
| 18     | KT9085300097 | 2    | BEARING, COMPLETE |            |
| 19     | KT9081100094 | 1    | GUARD, RH         |            |
| 20     | KT69540000   | 1    | TUBE              | L = 300 mm |
| 21     | KT6953600061 | 1    | BRACKET           |            |
| 22     | KT5882400061 | 2    | WASHER            |            |
| 23     | KT9079000061 | 4    | DISTANCE RING     |            |
| 24     | KT9034500086 | 2    | GUARD             |            |
| 25     | KT9046900061 | 2    | SHAFT             |            |
| 26     | KT9078900061 | 4    | SHIM              |            |
| 27     | KT5874000061 | 2    | WASHER            |            |
| 28     | KG01267561   |      | WASHER            | M 12       |
| 29     | KG00476561   |      | STEEL SET SCREW   | M 12x30    |
| 30     | KT9081000094 | 1    | GUARD, LH         |            |
| 31     | KG01108800   |      | CIRCLIP           | A 30x1,5   |
| 32     | KT9081200061 | 1    | BRACKET           |            |



SPMKT000188

**4236LT / Transmission**

| PosNo. | Part No.     | Qty. | Description     | Remark               |
|--------|--------------|------|-----------------|----------------------|
| 1      | KT99202435   | 1    | V-BELT SET      | SPB Lw 1860 (3 pcs.) |
| 2      | KT6828400001 | 1    | V-BELT PULLEY   |                      |
| 3      | KT6828300001 | 1    | V-BELT PULLEY   |                      |
| 4      | KT55670000   | 4    | WASHER          |                      |
| 5      | KG00476561   | 2    | STEEL SET SCREW | M 12x30              |

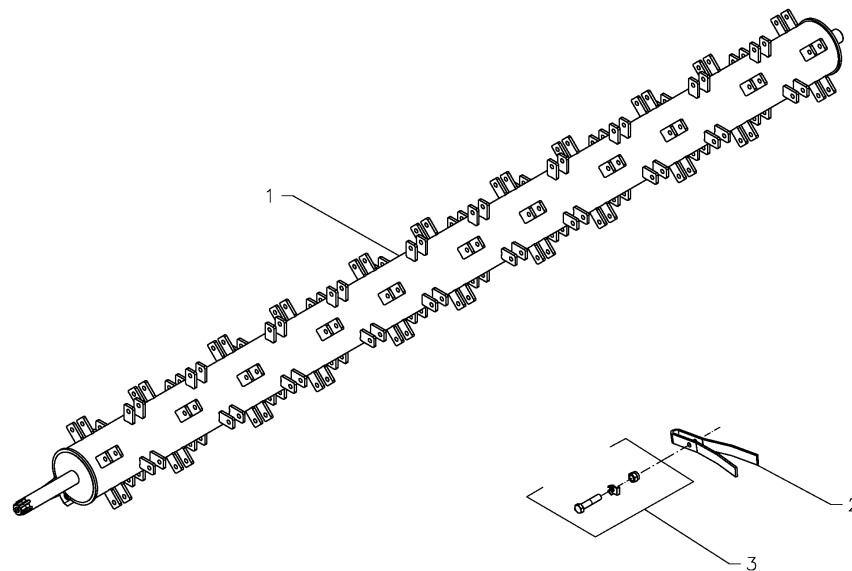


SPMKT000190



**4236LT / Conditioner plate**

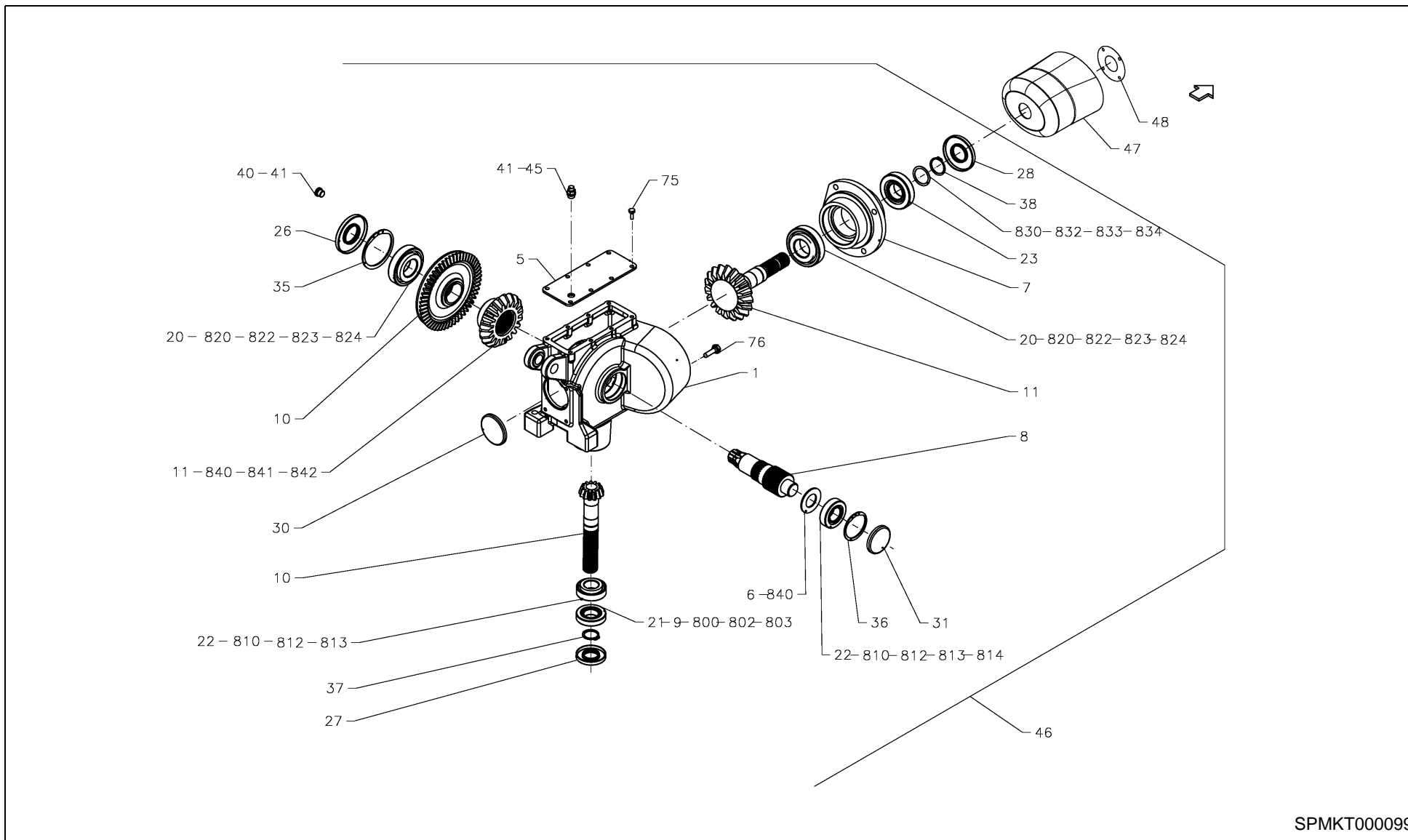
| PosNo. | Part No.     | Qty. | Description       | Remark |
|--------|--------------|------|-------------------|--------|
| 1      | KT9047710086 | 1    | CONDITIONER PLATE |        |
| 2      | KT9047600086 | 1    | ROD               |        |
| 3      | KT9046100086 | 1    | HANDLE            |        |
| 4      | KT9046400061 | 2    | COTTER BOLT       |        |
| 5      | KT9034700086 | 2    | CONNECTING LINK   |        |
| 6      | KG01267561   |      | WASHER            | M 12   |
| 7      | KT9046300061 | 4    | COTTER BOLT       | ø12    |
| 8      | KG01251561   |      | SPLIT PIN         | ø4x25  |
| 9      | KT9034800061 | 2    | LOCK PLATE        |        |
| 10     | KT6827100061 | 1    | COTTER BOLT       |        |
| 11     | KT1769300061 | 1    | SPRING            |        |
| 12     | KT38218000   | 1    | HANDLE            |        |



## 4236LT / Rotor



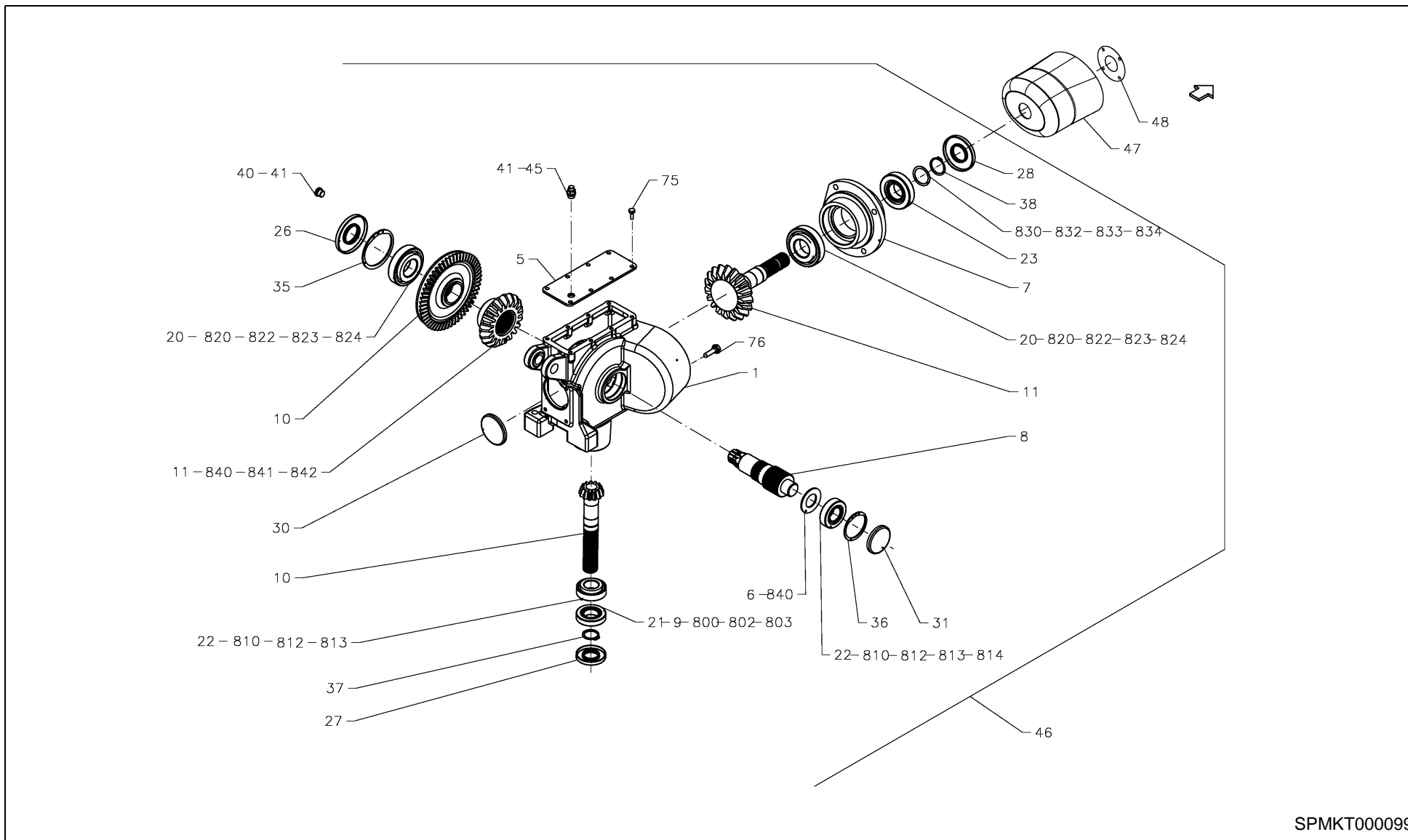
| PosNo. | Part No.     | Qty. | Description     | Remark  |
|--------|--------------|------|-----------------|---------|
| 1      | KT9030100086 | 1    | ROTOR           |         |
| 2      | KT90276000   | 1    | SPARE PARTS SET | 10 pcs. |
| 3      | KT90278000   | 1    | BOLT KIT        | 10 pcs. |



SPMKT000099

## 4236LT / Main gear box, complete

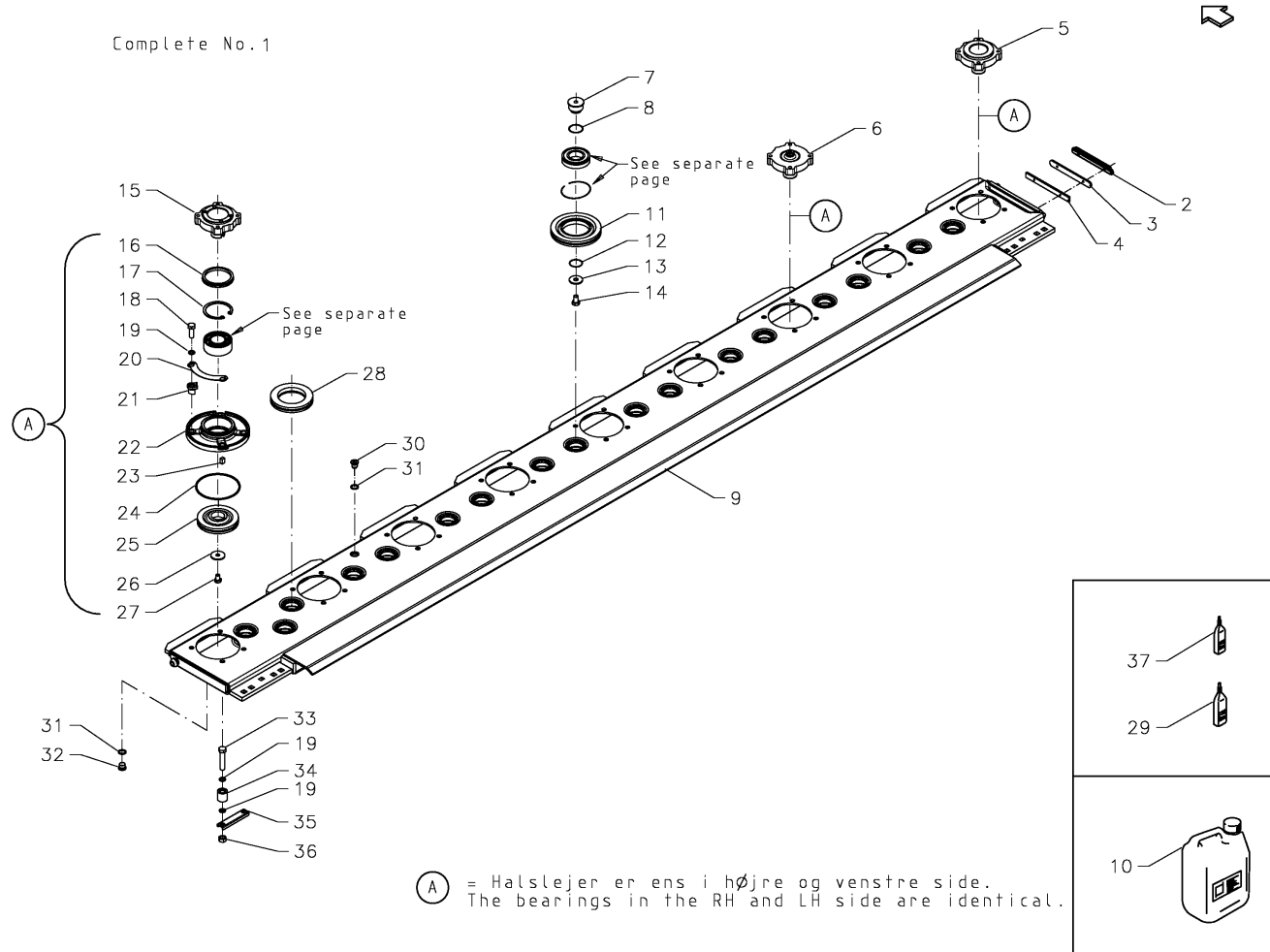
| PosNo. | Part No.     | Qty. | Description             | Remark     |
|--------|--------------|------|-------------------------|------------|
| 1      | KT99255147   | 1    | GEAR BOX CASING         |            |
| 5      | KT99255148   | 1    | COVER                   |            |
| 6      | KT99255149   | 1    | SPACER                  |            |
| 7      | KT99255150   | 1    | FLANGE                  |            |
| 8      | KT99255151   | 1    | SHAFT                   |            |
| 9      | KT99255152   | 1    | RING                    |            |
| 10     | KT99255153   | 1    | GEAR WHEEL SET          |            |
| 11     | KT99255154   | 1    | GEAR WHEEL SET          |            |
| 20     | KT99255155   | 2    | ROLLER BEARING          | 30309A     |
| 21     | KT99255107   | 1    | ROLLER BEARING          | 30207A     |
| 22     | KT99255108   | 2    | ROLLER BEARING          | 32207A     |
| 23     | KT99255156   | 1    | ROLLER BEARING          | 30308A     |
| 26     | KT99255157   | 1    | SEALING RING            | 45x100x10  |
| 27     | KT99255158   | 1    | SEALING RING            | 35x72x10   |
| 28     | KT99255159   | 1    | SEALING RING            | 40x90x10   |
| 30     | KT99255160   | 1    | CAP                     | 80x8       |
| 31     | KT99255123   | 1    | CAP                     | 72x9       |
| 35     | KT99255116   | 1    | CIRCLIP                 | 100x3,0    |
| 36     | KT99255115   | 1    | CIRCLIP                 | 72x2,5     |
| 37     | KT99255161   | 1    | CIRCLIP                 | 35x2,5     |
| 38     | KT99255162   | 1    | CIRCLIP                 | 40x1,75    |
| 40     | KT99255120   | 2    | PLUG                    |            |
| 41     | KT99255122   | 3    | GASKET                  | ø16xø20    |
| 45     | KT99255129   | 1    | VALVE                   |            |
| 46     | KT99255003   | 1    | MAIN GEAR BOX, COMPLETE |            |
| 47     | KT99244506   | 1    | GUARD                   |            |
| 48     | KT9062900061 | 1    | DISC                    |            |
| 75     | KT99255163   | 8    | BOLT                    | M 8x20     |
| 76     | KT99255164   | 4    | BOLT                    | M 12x40    |
| 800    | KT99255165   | 2    | SHIM                    | 35x45x0,1  |
| 802    | KT99255166   | 1    | SHIM                    | 35x45x0,3  |
| 803    | KT99255167   | 1    | SHIM                    | 35x45x0,5  |
| 810    | KT99255137   | 4    | SHIM                    | 62x72x0,1  |
| 812    | KT99255138   | 2    | SHIM                    | 62x72x0,3  |
| 813    | KT99255139   | 2    | SHIM                    | 62x72x0,5  |
| 814    | KT99255140   | 1    | SHIM                    | 62x72x1,0  |
| 820    | KT99255168   | 4    | SHIM                    | 90x100x0,1 |
| 822    | KT99255169   | 2    | SHIM                    | 90x100x0,3 |
| 823    | KT99255170   | 2    | SHIM                    | 90x100x0,5 |
| 824    | KT99255171   | 2    | SHIM                    | 90x100x1,0 |



SPMKT000099

**4236LT / Main gear box, complete**

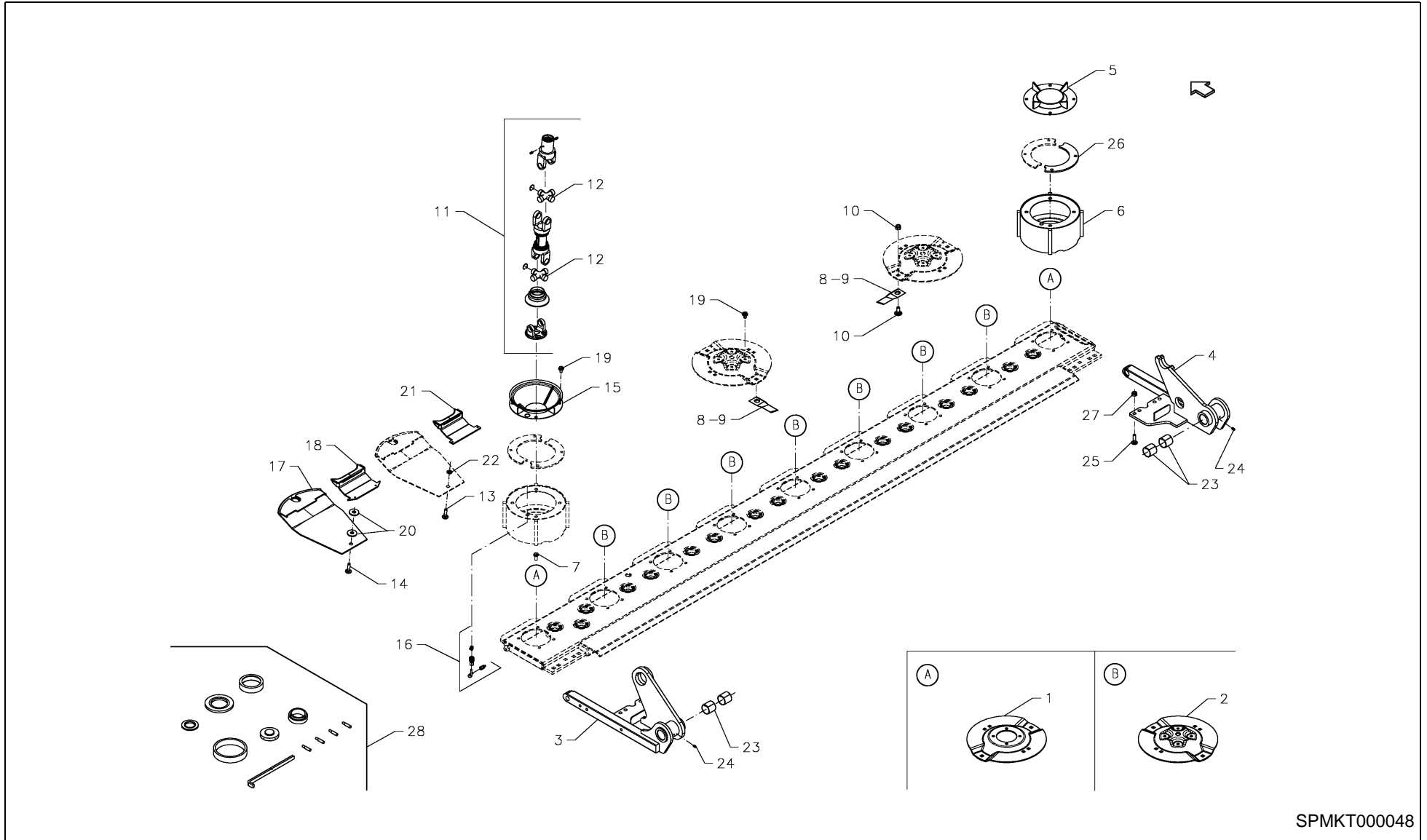
| PosNo. | Part No.   | Qty. | Description | Remark    |
|--------|------------|------|-------------|-----------|
| 830    | KT99255144 | 2    | SHIM        | 40x50x0,1 |
| 832    | KT99255143 | 1    | SHIM        | 40x50x0,3 |
| 833    | KT99255142 | 1    | SHIM        | 40x50x0,5 |
| 834    | KT99255172 | 1    | SHIM        | 40x50x1,0 |
| 840    | KT99255173 | 2    | SHIM        | 60x75x0,1 |
| 841    | KT99255174 | 2    | SHIM        | 60x75x0,3 |
| 842    | KT99255175 | 2    | SHIM        | 60x75x0,5 |





## 4236LT / Cutterbar 1

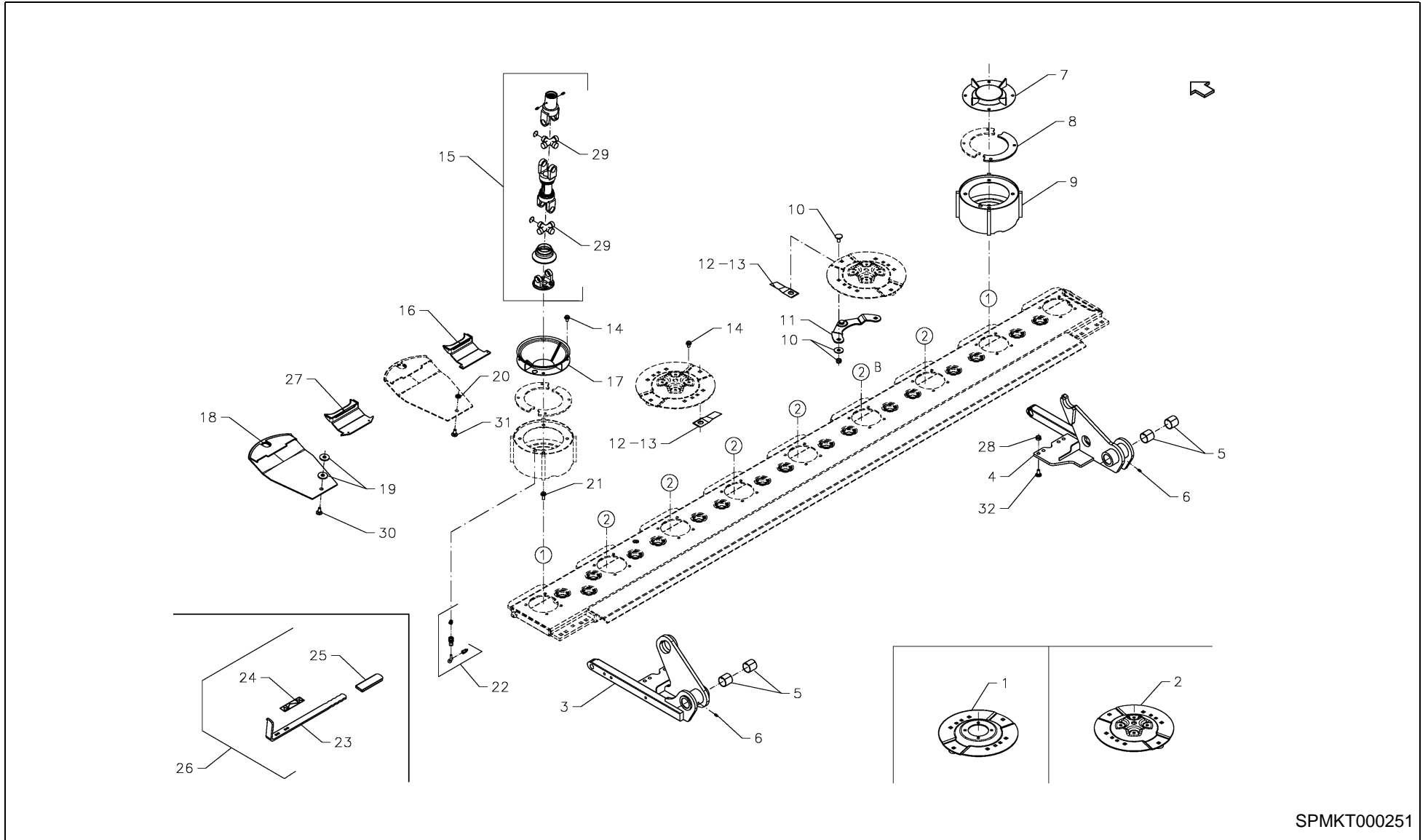
| PosNo. | Part No.     | Qty. | Description                | Remark       |
|--------|--------------|------|----------------------------|--------------|
| 1      | KT5520900086 | 1    | 9-DISC CUTTERBAR, COMPLETE |              |
| 2      | KT5564900061 | 1    | COVER                      |              |
| 3      | KT55651000   | 1    | GASKET                     |              |
| 4      | KT5565000001 | 1    | PATCH                      |              |
| 5      | KT5512600001 | 1    | HUB                        |              |
| 6      | KT5512300001 | 7    | HUB                        |              |
| 7      | KT5564400001 | 17   | PIVOT PIN                  |              |
| 8      | KT99420238   |      | O-RING                     | ø37,1x1,6    |
| 9      | KT5513200086 | 1    | 9-DISC CUTTERBAR           |              |
| 10     | KT10105000   | 1    | OIL CAN                    | 5 ltr.       |
| 11     | KT5564110001 | 14   | GEAR WHEEL                 |              |
| 12     | KT99420125   |      | O-RING                     | ø34,2x3      |
| 13     | KT5567000001 | 14   | WASHER                     |              |
| 14     | KG00476261   |      | STEEL SET SCREW            | M 12x20      |
| 15     | KT5512400001 | 1    | HUB                        |              |
| 16     | KT99421068   |      | SEALING RING               | 75A          |
| 17     | KG01130900   |      | CIRCLIP                    | B ø80x2,5    |
| 18     | KG00457361   |      | STEEL SET SCREW            | M 12x35      |
| 19     | KT99420109   |      | O-RING                     | ø10,69x3,53  |
| 20     | KT5572910061 | 18   | LOCK PLATE                 |              |
| 21     | KT5564610001 | 32   | NUT                        |              |
| 22     | KT5512200001 | 9    | CASING                     |              |
| 23     | KT99354122   |      | KEY                        | B 10x8x16    |
| 24     | KT99420286   |      | O-RING                     | ø120,24x3,53 |
| 25     | KT5574900001 | 9    | GEAR WHEEL                 | Z = 31       |
| 26     | KT5515400001 | 9    | WASHER                     |              |
| 27     | KG00473961   |      | STEEL SET SCREW            | M 10x16      |
| 28     | KT5564210001 | 3    | GEAR WHEEL                 | Z = 32       |
| 29     | KT99457135   |      | LOCTITE                    | 10 g.        |
| 30     | KT99462633   |      | PLUG                       | M 16x1,5     |
| 31     | KT99462718   |      | WASHER                     | ø16-ø28-1    |
| 32     | KT99458109   |      | PLUG                       | M 16x1,5     |
| 33     | KT99302819   |      | STEEL BOLT                 | M 12x65      |
| 34     | KT5576600001 | 4    | SPACER BUSHING             |              |
| 35     | KT5576700001 | 2    | LOCK PLATE                 |              |
| 36     | KT99307863   |      | NUT                        | M 12         |
| 37     | KT99457134   | 1    | LOCTITE                    | 3 g.         |



SPMKT000048

## 4236LT / Transmission, cutterbar

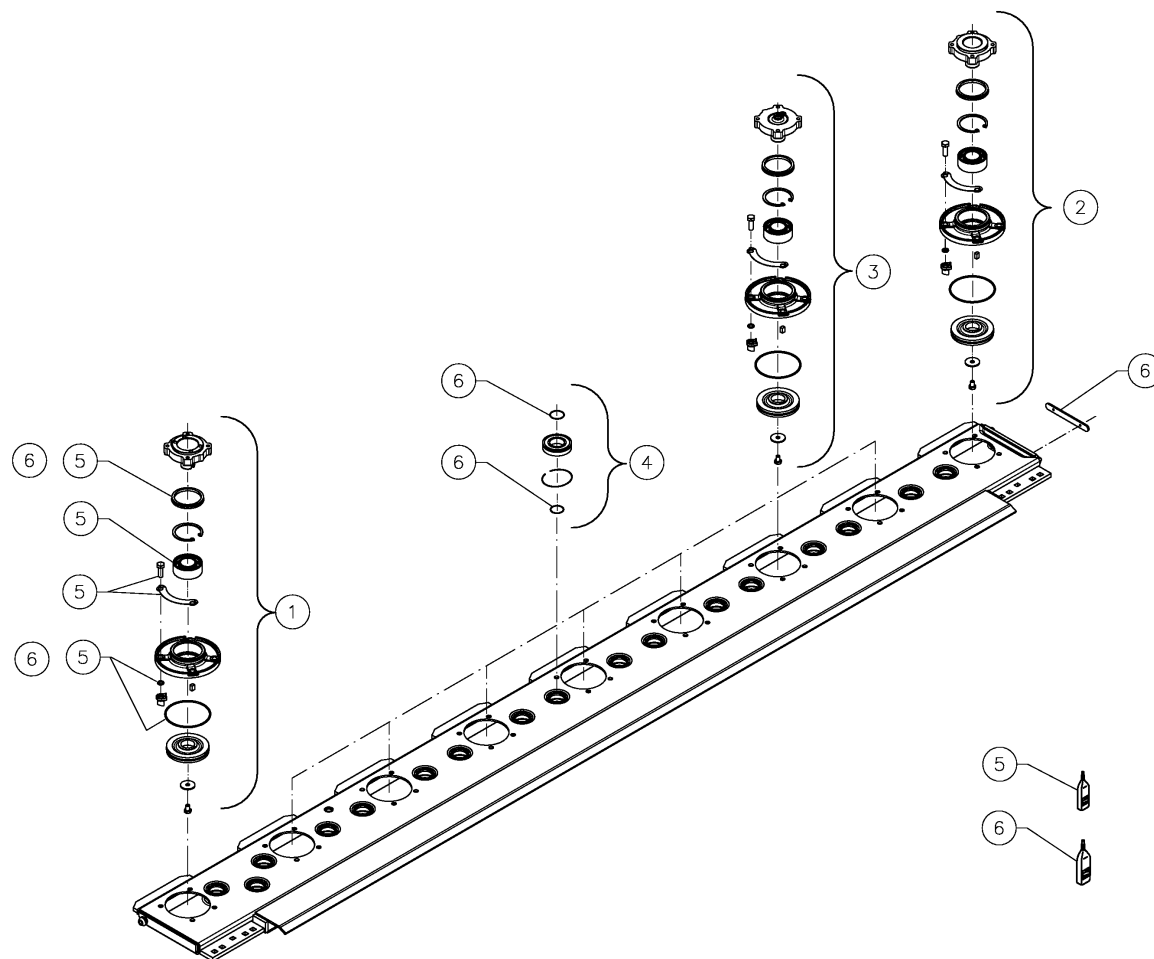
| PosNo. | Part No.     | Qty. | Description                | Remark     |
|--------|--------------|------|----------------------------|------------|
| 1      | KT5513300094 | 2    | CUTTING DISC               |            |
| 2      | KT5513400094 | 7    | CUTTING DISC               |            |
| 3      | KT9030600086 | 1    | CONSOLE, LH                |            |
| 4      | KT9030500086 | 1    | CONSOLE, RH                |            |
| 5      | KT6865600094 | 1    | CONICAL CAP                |            |
| 6      | KT5512800094 | 2    | CONE                       |            |
| 7      | KT99308826   |      | STEEL BOLT                 | M 10x20    |
| 8      | KT56396000   | 1    | KNIFE KIT, COMPLETE        | 12 pcs.    |
| 9      | KT56778000   | 1    | KNIFE KIT, COMPLETE        | 6 pcs.     |
| 10     | KT56294000   | 1    | SPARE PARTS SET            | 10 pcs.    |
| 11     | KT55246000   | 1    | UNIVERSAL JOINT, COMPLETE  |            |
| 12     | KT99244511   | 2    | CROSS, COMPLETE            |            |
| 13     | KT45429000   | 7    | PLOUGH BOLT                | M 10x30    |
| 14     | KT56149000   | 2    | PLOUGH BOLT                | M 10x40    |
| 15     | KT6865820094 | 1    | TOP CONE                   |            |
| 16     | KT69708000   | 1    | LUBRICATING TUBE, COMPLETE | L = 115 mm |
| 17     | KT5512500086 | 9    | WEARING SOLE               |            |
| 18     | KT5514000086 | 1    | COUNTER KNIFE              |            |
| 19     | KT99308824   |      | STEEL BOLT                 | M 10x16    |
| 20     | KT5627100061 | 4    | WASHER                     |            |
| 21     | KT5513900086 | 7    | COUNTER KNIFE              |            |
| 22     | KG01267461   |      | WASHER                     |            |
| 23     | KT99158084   | 4    | GLACIER BUSHING            | PM 4040 DX |
| 24     | KT99417025   |      | GREASE NIPPLE              | M 6 type 1 |
| 25     | KT45431000   | 8    | PLOUGH BOLT                | M 12x35    |
| 26     | KT5524700086 | 4    | RING                       |            |
| 27     | KG01072461   |      | LOCK NUT                   | M 12       |
| 28     | KT55695100   | 1    | TOOL SET FOR CUTTERBAR     |            |



SPMKT000251

## 4236LT / Transmission, cutterbar + ProFit

| PosNo. | Part No.     | Qty. | Description                 | Remark            |
|--------|--------------|------|-----------------------------|-------------------|
| 1      | KT5515100094 | 2    | CUTTING DISC (PROFIT)       |                   |
| 2      | KT5515000094 | 7    | CUTTING DISC (PROFIT)       |                   |
| 3      | KT9030600086 | 1    | CONSOLE, LH                 |                   |
| 4      | KT9030500086 | 1    | CONSOLE, RH                 |                   |
| 5      | KT99158084   | 4    | GLACIER BUSHING             | PM 4040 DX        |
| 6      | KT99417025   |      | GREASE NIPPLE               | M 6 type 1        |
| 7      | KT6865600094 | 1    | CONICAL CAP                 |                   |
| 8      | KT5524700086 | 4    | RING                        |                   |
| 9      | KT5512810094 | 2    | CONE                        |                   |
| 10     | KT90288000   | 1    | BOLT KIT, COMPLETE (PROFIT) | 10 pcs.           |
| 11     | KT5577110094 | 18   | KNIFE RETAINER (PROFIT)     |                   |
| 12     | KT56778000   | 1    | KNIFE KIT, COMPLETE         | 6 pcs. + 6 pcs.   |
| 13     | KT56396000   | 1    | KNIFE KIT, COMPLETE         | 12 pcs. + 12 pcs. |
| 14     | KT99308824   |      | STEEL BOLT                  | M 10x16           |
| 15     | KT55246000   | 1    | UNIVERSAL JOINT, COMPLETE   |                   |
| 16     | KT5513900086 | 7    | COUNTER KNIFE               |                   |
| 17     | KT6865820094 | 1    | TOP CONE                    |                   |
| 18     | KT5512500086 | 9    | WEARING SOLE                |                   |
| 19     | KT5627100061 | 4    | WASHER                      |                   |
| 20     | KG01267461   |      | WASHER                      | M 10              |
| 21     | KT99308826   |      | STEEL BOLT                  | M 10x20           |
| 22     | KT69708000   | 1    | LUBRICATING TUBE, COMPLETE  | L = 115 mm        |
| 23     | KT55772100   | 1    | TOOL                        |                   |
| 24     | KT55769000   | 1    | DECAL                       |                   |
| 25     | KT38218000   | 1    | HANDLE                      |                   |
| 26     | KT55777100   | 1    | TOOL, COMPLETE              |                   |
| 27     | KT5514000086 | 1    | COUNTER KNIFE               |                   |
| 28     | KG01072461   |      | LOCK NUT                    | M 12              |
| 29     | KT99244511   | 1    | CROSS, COMPLETE             |                   |
| 30     | KT56149000   | 2    | PLOUGH BOLT                 | M 10x40           |
| 31     | KT45429000   | 7    | PLOUGH BOLT                 | M 10x30           |
| 32     | KT45431000   | 8    | PLOUGH BOLT                 | M 12x35           |

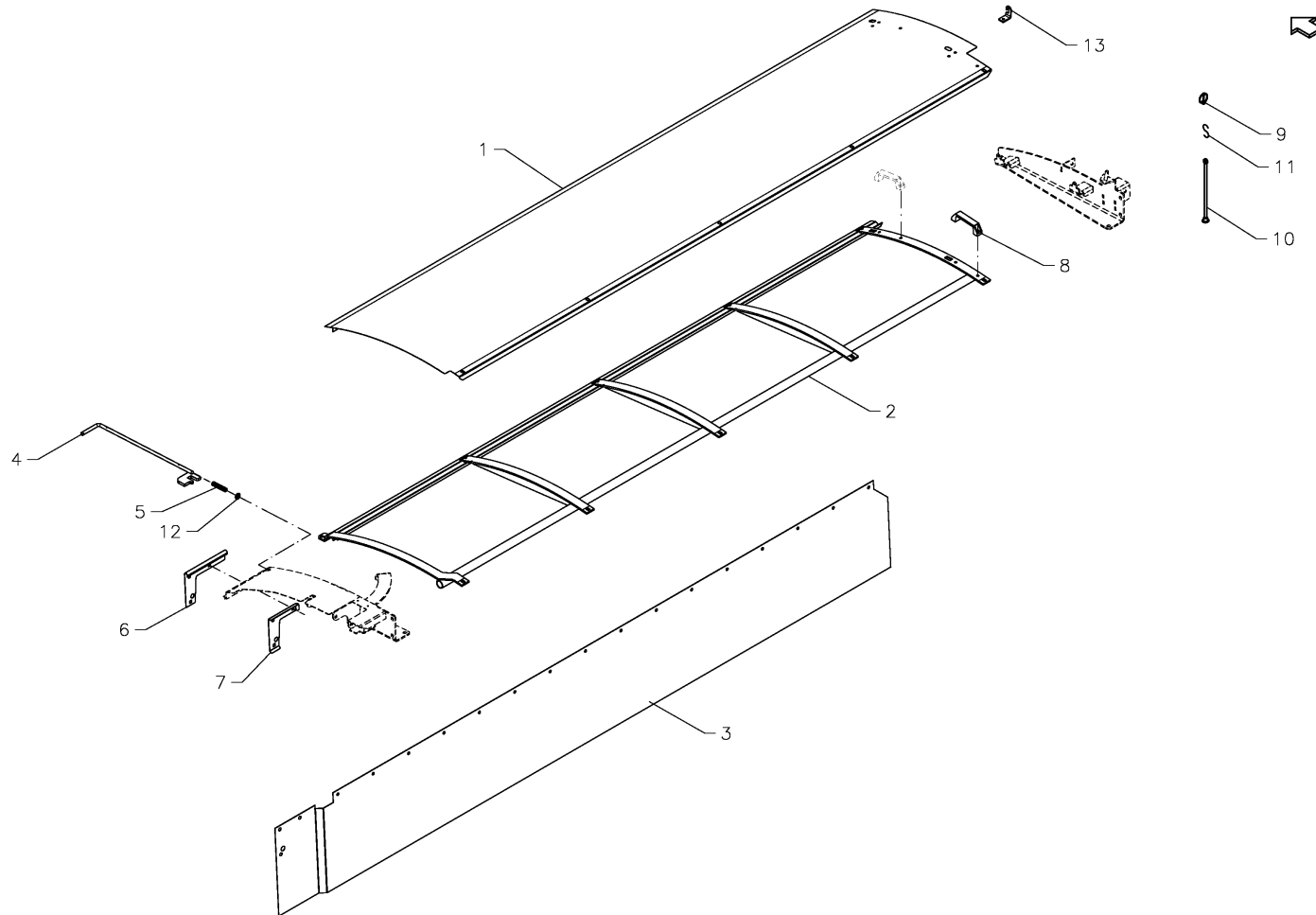


SPMKT000065

# 4236LT / Cutterbar 2



| PosNo. | Part No.   | Qty. | Description      | Remark |
|--------|------------|------|------------------|--------|
| 1      | KT55243000 | 1    | CASING, COMPLETE |        |
| 2      | KT55245000 | 1    | CASING, COMPLETE |        |
| 3      | KT55244000 | 1    | CASING, COMPLETE |        |
| 4      | KT55706100 | 1    | SPARE PARTS SET  |        |
| 5      | KT55705300 | 5    | SPARE PARTS SET  |        |
| 6      | KT55710300 | 6    | GASKET KIT       |        |

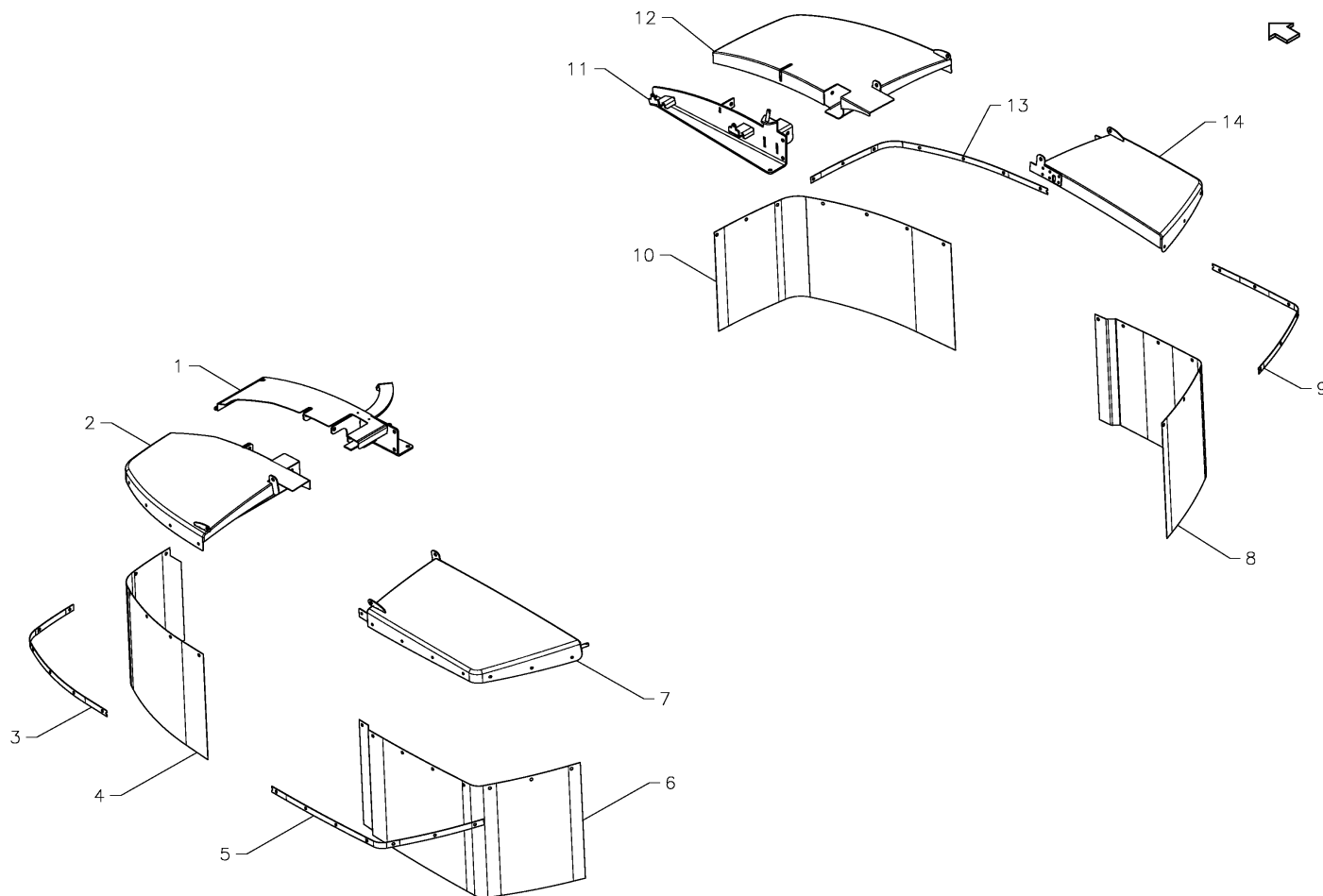


SPMKT000252



**4236LT / Guard 1**

| PosNo. | Part No.     | Qty. | Description | Remark |
|--------|--------------|------|-------------|--------|
| 1      | KT9064410094 | 1    | UPPER PLATE |        |
| 2      | KT9064210094 | 1    | FRAME       |        |
| 3      | KT90831000   | 1    | TARPAULIN   |        |
| 4      | KT9059300061 | 1    | HANDLE      |        |
| 5      | KT1769300061 | 1    | SPRING      |        |
| 6      | KT9058410061 | 1    | BRACKET     |        |
| 7      | KT9058510061 | 1    | PLATE       |        |
| 8      | KT99458238   | 2    | HANDLE      |        |
| 9      | KT99331901   |      | LINCH PIN   |        |
| 10     | VF06215672   | 3    | SPRING      |        |
| 11     | KT99452096   |      | HOOK        |        |
| 12     | KG01267561   |      | WASHER      | M 12   |
| 13     | KT9088000061 | 1    | BRACKET     |        |

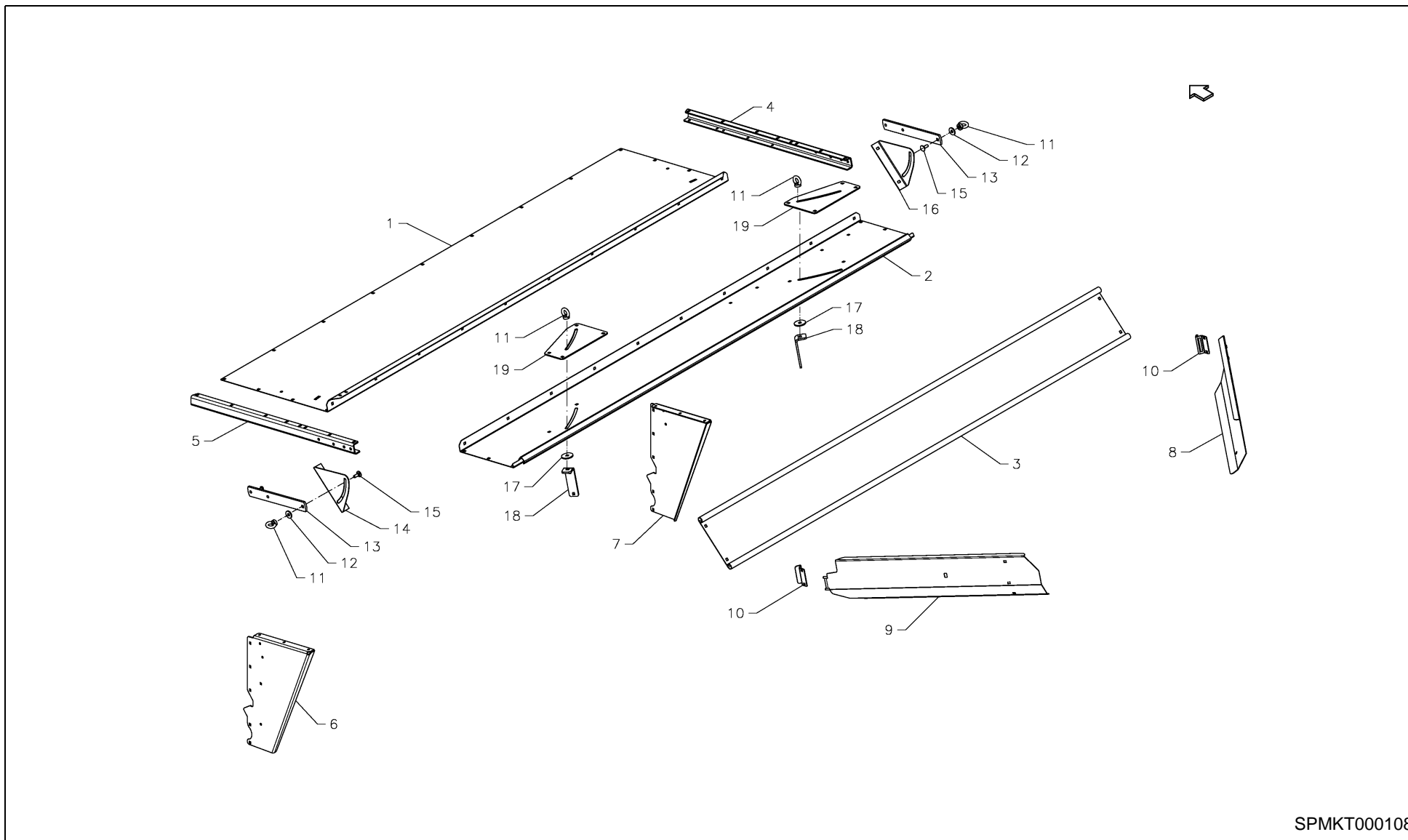


SPMKT000128

4236LT / Guard 2



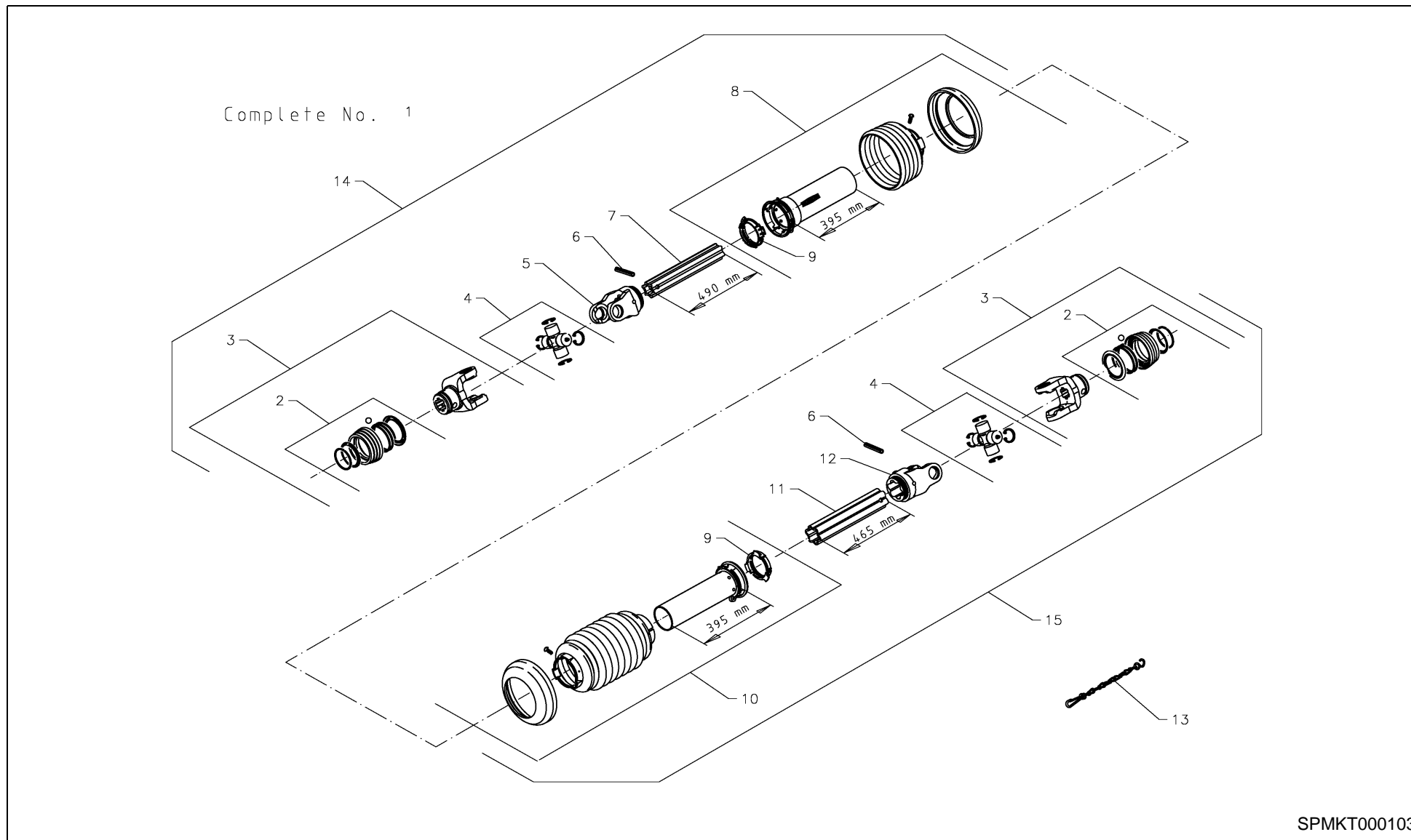
| PosNo. | Part No.     | Qty. | Description | Remark |
|--------|--------------|------|-------------|--------|
| 1      | KT9059410094 | 1    | BRACKET, LH |        |
| 2      | KT9059710094 | 1    | FRAME, LH   |        |
| 3      | KT9083400061 | 1    | RAIL, LH    |        |
| 4      | KT90827000   | 1    | TARPAULIN   |        |
| 5      | KT9083500061 | 1    | RAIL, LH    |        |
| 6      | KT90828000   | 1    | TARPAULIN   |        |
| 7      | KT9059210094 | 1    | FRAME, LH   |        |
| 8      | KT90826000   | 1    | TARPAULIN   |        |
| 9      | KT9083300061 | 1    | RAIL, RH    |        |
| 10     | KT90860000   | 1    | TARPAULIN   |        |
| 11     | KT9063710094 | 1    | BRACKET, RH |        |
| 12     | KT9058610094 | 1    | FRAME, RH   |        |
| 13     | KT9083200061 | 1    | RAIL, RH    |        |
| 14     | KT9058710094 | 1    | FRAME, RH   |        |



SPMKT000108

**4236LT / Rear end & deflector plate**

| PosNo. | Part No.     | Qty. | Description         | Remark  |
|--------|--------------|------|---------------------|---------|
| 1      | KT9044900094 | 1    | TOP PLATE           |         |
| 2      | KT9045000094 | 1    | PLATE               |         |
| 3      | KT9045200094 | 1    | PLATE               |         |
| 4      | KT9034100094 | 1    | PROFILE, RH         |         |
| 5      | KT9034000094 | 1    | PROFILE, LH         |         |
| 6      | KT9033800094 | 1    | SIDE PLATE, LH      |         |
| 7      | KT9033900094 | 1    | SIDE PLATE, RH      |         |
| 8      | KT9033700094 | 1    | DEFLECTOR PLATE, RH |         |
| 9      | KT9033600094 | 1    | DEFLECTOR PLATE, LH |         |
| 10     | KT9034200094 | 2    | BRACKET             |         |
| 11     | KG01094161   |      | RING NUT            | M 12    |
| 12     | KT5627100061 | 2    | WASHER              |         |
| 13     | KT9077200094 | 2    | PROFILE             |         |
| 14     | KT6975510094 | 1    | BRACKET, LH         |         |
| 15     | KG00644961   |      | CARRIAGE BOLT       | M 12x35 |
| 16     | KT6975410094 | 1    | BRACKET, RH         |         |
| 17     | KT3917400061 | 2    | WASHER              |         |
| 18     | KT9044400094 | 2    | BRACKET             |         |
| 19     | KT9034300094 | 2    | PLATE               |         |

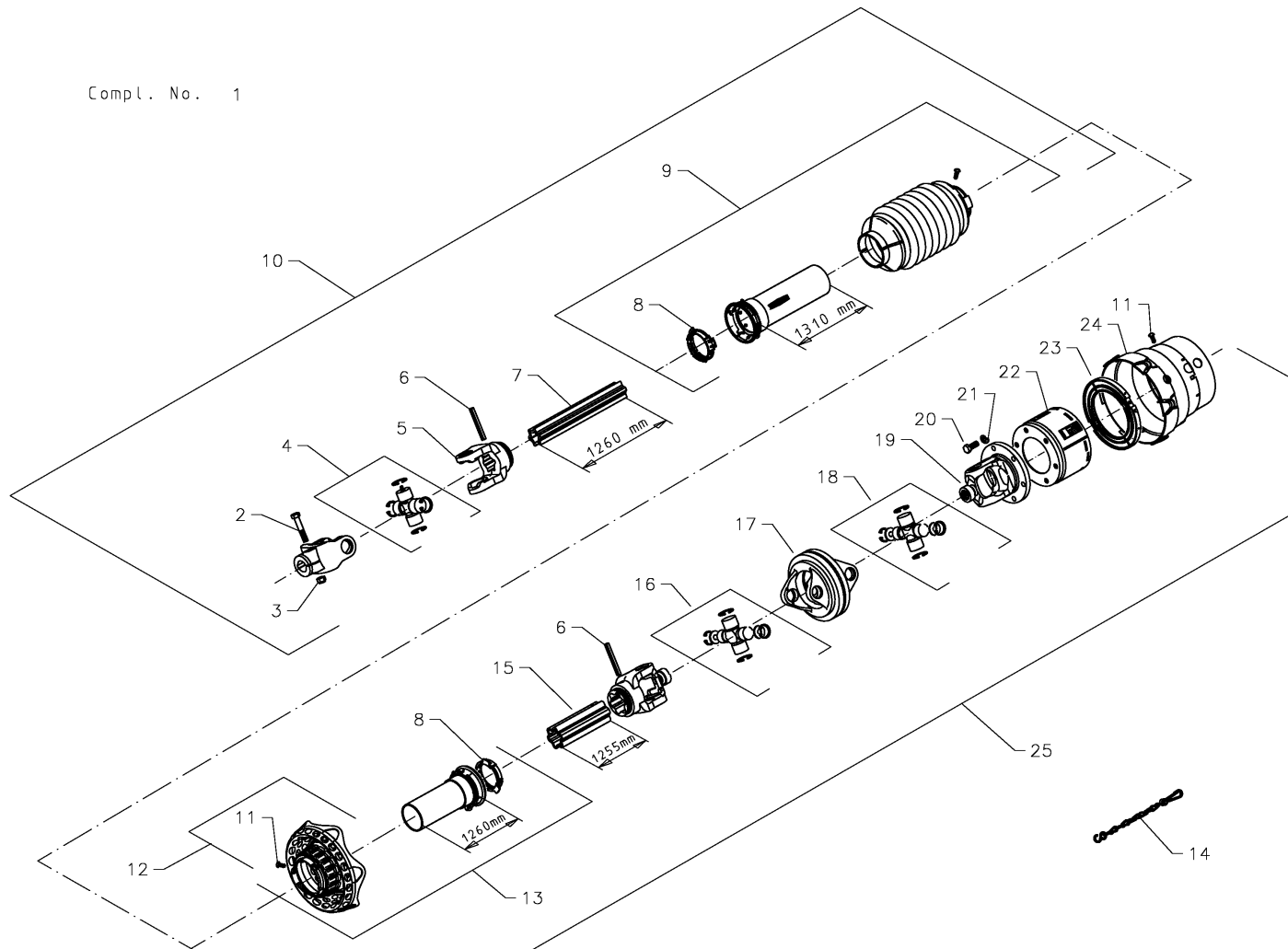


SPMKT000103

**4236LT / PTO shaft 1**

| PosNo. | Part No.   | Qty. | Description                     | Remark                  |
|--------|------------|------|---------------------------------|-------------------------|
| 1      | KT99244475 | 1    | PTO SHAFT, COMPLETE             |                         |
| 2      |            | 2    | NO PART NUMBER AVAILABLE        | Walterscheid No. 135048 |
| 3      |            | 2    | NO PART NUMBER AVAILABLE        | Walterscheid No. 133836 |
| 4      | KT99244480 | 2    | CROSS, COMPLETE                 |                         |
| 5      |            | 1    | NO PART NUMBER AVAILABLE        | Walterscheid No. 356905 |
| 6      |            | 2    | NO PART NUMBER AVAILABLE        | Walterscheid No. 020617 |
| 7      |            | 1    | NO PART NUMBER AVAILABLE        | Walterscheid No. 134940 |
| 8      | KT99244472 | 1    | OUTER PROTECTION TUBE, COMPLETE |                         |
| 9      |            | 2    | NO PART NUMBER AVAILABLE        | Walterscheid No. 087276 |
| 10     | KT99244473 | 1    | INNER PROTECTION TUBE, COMPLETE |                         |
| 11     |            | 1    | NO PART NUMBER AVAILABLE        | Walterscheid No. 017660 |
| 12     |            | 1    | NO PART NUMBER AVAILABLE        | Walterscheid No. 356906 |
| 13     |            | 1    | NO PART NUMBER AVAILABLE        | Walterscheid No. 044321 |
| 14     | KT99244476 | 1    | PTO SHAFT, INNER HALF, COMPLETE |                         |
| 15     | KT99244477 | 1    | PTO SHAFT, OUTER HALF, COMPLETE |                         |

Compl. No. 1

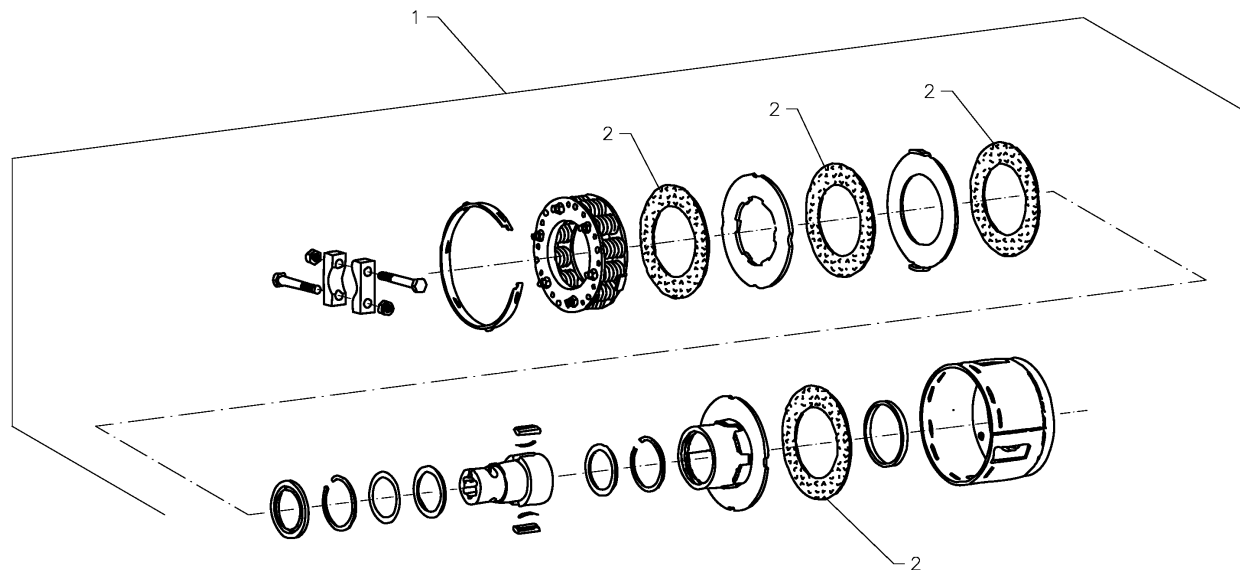


SPMKT000104



## 4236LT / PTO shaft 2

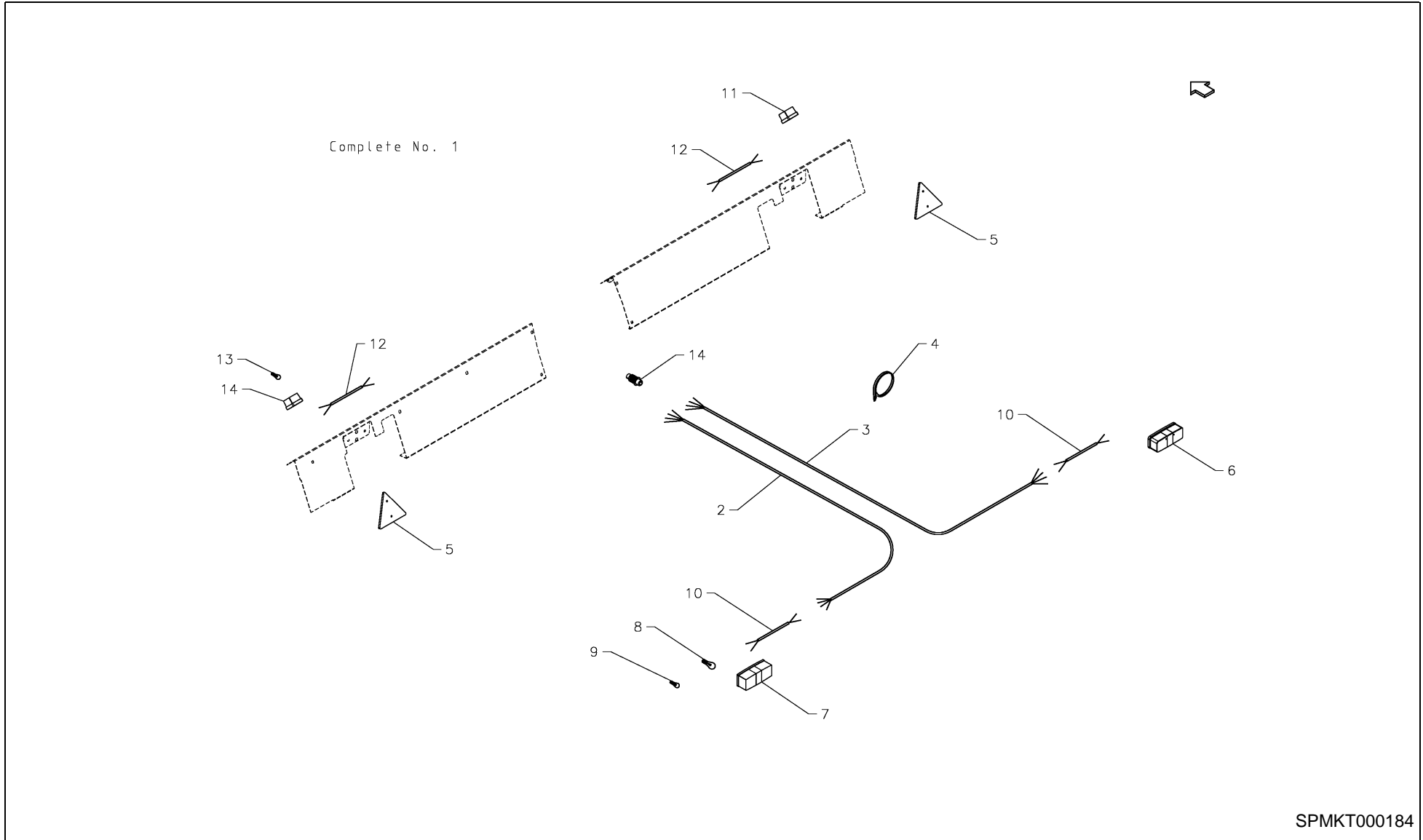
| PosNo. | Part No.   | Qty. | Description                     | Remark                  |
|--------|------------|------|---------------------------------|-------------------------|
| 1      | KT99244495 | 1    | PTO SHAFT, COMPLETE             |                         |
| 2      |            | 1    | NO PART NUMBER AVAILABLE        | Walterscheid No. 020471 |
| 3      |            | 1    | NO PART NUMBER AVAILABLE        | Walterscheid No. 010490 |
| 4      | KT99244498 | 1    | CROSS, COMPLETE                 |                         |
| 5      |            | 1    | NO PART NUMBER AVAILABLE        | Walterscheid No. 356905 |
| 6      |            | 2    | NO PART NUMBER AVAILABLE        | Walterscheid No. 020617 |
| 7      |            | 1    | NO PART NUMBER AVAILABLE        | Walterscheid No. 134937 |
| 8      |            | 4    | NO PART NUMBER AVAILABLE        | Walterscheid No. 087276 |
| 9      | KT99244474 | 1    | INNER PROTECTION TUBE, COMPLETE |                         |
| 10     | KT99244496 | 1    | PTO SHAFT, INNER HALF, COMPLETE |                         |
| 11     |            | 3    | NO PART NUMBER AVAILABLE        | Walterscheid No. 365305 |
| 12     |            | 1    | NO PART NUMBER AVAILABLE        | Walterscheid No. 134847 |
| 13     | KT99244478 | 1    | OUTER PROTECTION TUBE, COMPLETE |                         |
| 14     |            | 1    | NO PART NUMBER AVAILABLE        | Walterscheid No. 382078 |
| 15     |            | 1    | NO PART NUMBER AVAILABLE        | Walterscheid No. 134935 |
| 16     | KT99244499 | 1    | CROSS, COMPLETE                 |                         |
| 17     |            | 1    | NO PART NUMBER AVAILABLE        | Walterscheid No. 128854 |
| 18     | KT99244501 | 1    | CROSS, COMPLETE                 |                         |
| 19     |            | 1    | NO PART NUMBER AVAILABLE        | Walterscheid No. 137805 |
| 20     |            | 1    | NO PART NUMBER AVAILABLE        | Walterscheid No. 178119 |
| 21     |            | 1    | NO PART NUMBER AVAILABLE        | Walterscheid No. 178115 |
| 22     | KT99244481 | 1    | FRICTION CLUTCH                 |                         |
| 23     |            | 1    | NO PART NUMBER AVAILABLE        | Walterscheid No. 172715 |
| 24     |            | 1    | NO PART NUMBER AVAILABLE        | Walterscheid No. 129948 |
| 25     | KT99244497 | 1    | PTO SHAFT, OUTER HALF, COMPLETE |                         |



SPMKT000131

**4236LT / Friction clutch**

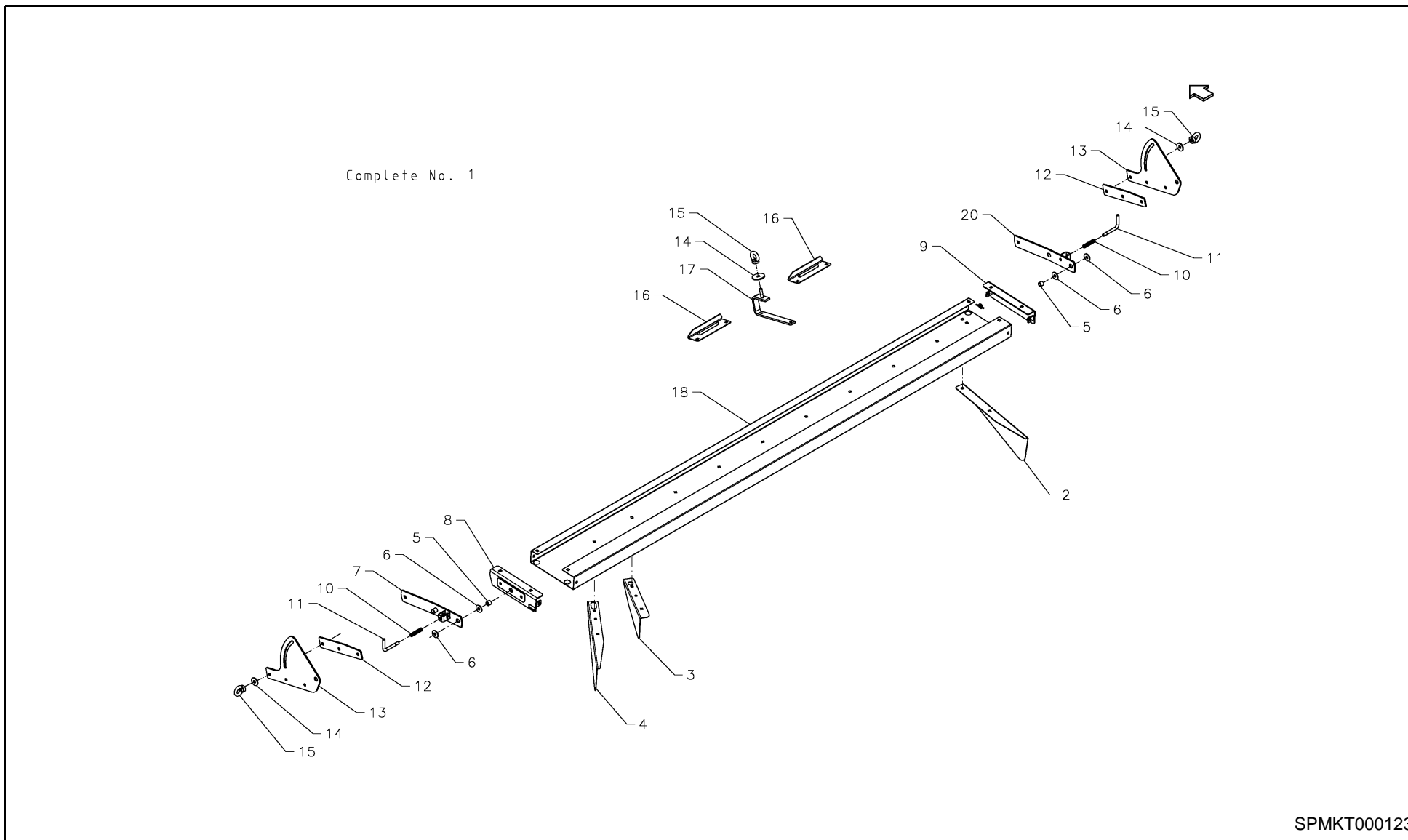
| PosNo. | Part No.   | Qty. | Description    | Remark |
|--------|------------|------|----------------|--------|
| 1      | KT99244481 | 1    | FRICION CLUTCH |        |
| 2      | KT99244479 | 4    | FRICION DISC   |        |



SPMKT000184

**4236LT / Lighting kit**

| PosNo. | Part No.   | Qty. | Description            | Remark      |
|--------|------------|------|------------------------|-------------|
| 1      | KT90228000 | 1    | LIGHTING KIT, COMPLETE |             |
| 2      | KT90580000 | 1    | CABLE                  | L = 7200 mm |
| 3      | KT90579000 | 1    | CABLE                  | L = 9600 mm |
| 4      | KT99478389 | 8    | CABLE TIE              | L = 140 mm  |
| 5      | KT99458332 | 2    | REFLEX, TRIANGLE       |             |
| 6      | KT99474335 | 1    | REAR LIGHT, RH         |             |
| 7      | KT99474336 | 1    | REAR LIGHT, LH         |             |
| 8      | KT99477138 |      | BULB                   | 12V - 21W   |
| 9      | KT99477137 |      | BULB                   | 12V - 10W   |
| 10     | KT90582000 | 2    | CABLE                  | L = 200 mm  |
| 11     | KT99474330 | 2    | SIDE LIGHT             |             |
| 12     | KT90583000 | 2    | CABLE                  | L = 200 mm  |
| 13     | KT99477136 |      | BULB                   | 12V - 5W    |
| 14     | KT99478196 | 1    | CONNECTING PLUG        |             |



SPMKT000123

**4236LT / Optional equipment**

| PosNo. | Part No.     | Qty. | Description                   | Remark |
|--------|--------------|------|-------------------------------|--------|
| 1      | KT90239000   | 1    | SPREADING EQUIPMENT, COMPLETE |        |
| 2      | KT6989900094 | 1    | SPREADING VANE                |        |
| 3      | KT7047500094 | 8    | SPREADING VANE                |        |
| 4      | KT7047400094 | 1    | SPREADING VANE                |        |
| 5      | KT7049000061 | 2    | BUSHING                       |        |
| 6      | KT3817000061 | 4    | WASHER                        |        |
| 7      | KT7048400094 | 1    | BRACKET                       |        |
| 8      | KT7048210094 | 1    | BRACKET                       |        |
| 9      | KT7048310094 | 1    | BRACKET                       |        |
| 10     | KT1769300061 | 2    | SPRING                        |        |
| 11     | KT7048100061 | 2    | HANDLE                        |        |
| 12     | KT9063800061 | 2    | PLATE                         |        |
| 13     | KT7048800094 | 2    | PLATE                         |        |
| 14     | KT5627100061 | 3    | WASHER                        |        |
| 15     | KG01094161   | 3    | RING NUT                      | M 12   |
| 16     | KT9062800061 | 2    | BRACKET                       |        |
| 17     | KT9062700061 | 1    | BRACKET                       |        |
| 18     | KT9063200094 | 1    | PROFILE                       |        |
| 20     | KT7048500094 | 1    | BRACKET                       |        |

4236LT / Part No Index



| Part No.   | Page | Pos No | Part No.     | Page | Pos No | Part No.     | Page | Pos No | Part No.     | Page | Pos No |
|------------|------|--------|--------------|------|--------|--------------|------|--------|--------------|------|--------|
|            | 20   | 11     | KG01043861   | 3    | 7      | KT38218000   | 10   | 12     | KT55245000   | 16   | 2      |
|            | 20   | 12     | KG01064261   | 8    | 6      | KT38218000   | 15   | 25     | KT55246000   | 14   | 11     |
|            | 20   | 13     | KG01064461   | 1    | 10     | KT3877520094 | 4    | 19     | KT55246000   | 15   | 15     |
|            | 20   | 2      | KG01064661   | 8    | 15     | KT3877610061 | 4    | 18     | KT5524700086 | 14   | 26     |
|            | 20   | 3      | KG01072461   | 14   | 27     | KT3877810094 | 4    | 12     | KT5524700086 | 15   | 8      |
|            | 20   | 5      | KG01072461   | 15   | 28     | KT3917400061 | 19   | 17     | KT5564110001 | 13   | 11     |
|            | 20   | 6      | KG01094161   | 19   | 11     | KT45429000   | 14   | 13     | KT5564210001 | 13   | 28     |
|            | 20   | 7      | KG01094161   | 24   | 15     | KT45429000   | 15   | 31     | KT5564400001 | 13   | 7      |
|            | 20   | 9      | KG01108300   | 8    | 11     | KT45431000   | 14   | 25     | KT5564610001 | 13   | 21     |
|            | 21   | 11     | KG01108800   | 8    | 31     | KT45431000   | 15   | 32     | KT5564900061 | 13   | 2      |
|            | 21   | 12     | KG01110400   | 4    | 4      | KT4837700061 | 8    | 8      | KT5565000001 | 13   | 4      |
|            | 21   | 14     | KG01128700   | 2    | 5      | KT49143000   | 7    | 8      | KT55651000   | 13   | 3      |
|            | 21   | 15     | KG01130900   | 13   | 17     | KT5512200001 | 13   | 22     | KT55670000   | 9    | 4      |
|            | 21   | 17     | KG01251561   | 10   | 8      | KT5512300001 | 13   | 6      | KT5567000001 | 13   | 13     |
|            | 21   | 19     | KG01267461   | 14   | 22     | KT5512400001 | 13   | 15     | KT55695100   | 14   | 28     |
|            | 21   | 2      | KG01267461   | 15   | 20     | KT5512500086 | 14   | 17     | KT55705300   | 16   | 5      |
|            | 21   | 20     | KG01267561   | 8    | 28     | KT5512500086 | 15   | 18     | KT55706100   | 16   | 4      |
|            | 21   | 21     | KG01267561   | 10   | 6      | KT5512600001 | 13   | 5      | KT55710300   | 16   | 6      |
|            | 21   | 23     | KG01267561   | 17   | 12     | KT5512800094 | 14   | 6      | KT5572910061 | 13   | 20     |
|            | 21   | 24     | KG01267761   | 1    | 11     | KT5512810094 | 15   | 9      | KT5574900001 | 13   | 25     |
|            | 21   | 3      | KG01309000   | 4    | 28     | KT5513200086 | 13   | 9      | KT5576600001 | 13   | 34     |
|            | 21   | 5      | KG01378900   | 8    | 12     | KT5513300094 | 14   | 1      | KT5576700001 | 13   | 35     |
|            | 21   | 6      | KT10101000   | 5    | 48     | KT5513400094 | 14   | 2      | KT55769000   | 15   | 24     |
|            | 21   | 7      | KT10105000   | 13   | 10     | KT5513900086 | 14   | 21     | KT5577110094 | 15   | 11     |
|            | 21   | 8      | KT1769300061 | 10   | 11     | KT5513900086 | 15   | 16     | KT55772100   | 15   | 23     |
| KG00355761 | 8    | 14     | KT1769300061 | 17   | 5      | KT5514000086 | 14   | 18     | KT55777100   | 15   | 26     |
| KG00363161 | 1    | 1      | KT1769300061 | 24   | 10     | KT5514000086 | 15   | 27     | KT56149000   | 14   | 14     |
| KG00457361 | 13   | 18     | KT26422000   | 1    | 9      | KT5515000094 | 15   | 2      | KT56149000   | 15   | 30     |
| KG00473961 | 13   | 27     | KT2844700061 | 4    | 15     | KT5515100094 | 15   | 1      | KT5627100061 | 14   | 20     |
| KG00476261 | 13   | 14     | KT3130700061 | 2    | 19     | KT5515400001 | 13   | 26     | KT5627100061 | 15   | 19     |
| KG00476561 | 8    | 29     | KT3130700061 | 3    | 16     | KT5520900086 | 13   | 1      | KT5627100061 | 19   | 12     |
| KG00476561 | 9    | 5      | KT3626300061 | 4    | 14     | KT55243000   | 16   | 1      | KT5627100061 | 24   | 14     |
| KG00644961 | 19   | 15     | KT3817000061 | 24   | 6      | KT55244000   | 16   | 3      | KT56294000   | 14   | 10     |



# 4236LT / Part No Index

| Part No.     | Page | Pos No | Part No.     | Page | Pos No | Part No.     | Page | Pos No | Part No.     | Page | Pos No |
|--------------|------|--------|--------------|------|--------|--------------|------|--------|--------------|------|--------|
| KT56396000   | 14   | 8      | KT7048500094 | 24   | 20     | KT9035300061 | 8    | 17     | KT9051200061 | 7    | 12     |
| KT56396000   | 15   | 13     | KT7048800094 | 24   | 13     | KT9036100061 | 2    | 18     | KT9051400061 | 3    | 8      |
| KT56778000   | 14   | 9      | KT7049000061 | 24   | 5      | KT9036100061 | 2    | 4      | KT9052900094 | 1    | 4      |
| KT56778000   | 15   | 12     | KT90186000   | 1    | 13     | KT9036200061 | 2    | 14     | KT9053510061 | 8    | 1      |
| KT5874000061 | 8    | 27     | KT90228000   | 23   | 1      | KT9036300061 | 3    | 9      | KT9053600061 | 8    | 9      |
| KT5882400061 | 8    | 22     | KT90239000   | 24   | 1      | KT9038210094 | 8    | 5      | KT9054200094 | 1    | 2      |
| KT6056800061 | 4    | 11     | KT90276000   | 11   | 2      | KT9040100094 | 1    | 16     | KT9054300094 | 1    | 3      |
| KT6244300061 | 3    | 10     | KT90278000   | 11   | 3      | KT9040200094 | 1    | 5      | KT9057600061 | 4    | 7      |
| KT6244500061 | 3    | 11     | KT90288000   | 15   | 10     | KT9040300094 | 7    | 1      | KT9057700061 | 2    | 10     |
| KT6245600001 | 8    | 13     | KT9030100086 | 11   | 1      | KT9044400094 | 19   | 18     | KT9057800061 | 2    | 15     |
| KT67602000   | 6    | 19     | KT9030500086 | 14   | 4      | KT9044900094 | 19   | 1      | KT90579000   | 23   | 3      |
| KT6823110061 | 4    | 2      | KT9030500086 | 15   | 4      | KT9045000094 | 19   | 2      | KT90580000   | 23   | 2      |
| KT6827100061 | 10   | 10     | KT9030600086 | 14   | 3      | KT9045200094 | 19   | 3      | KT90582000   | 23   | 10     |
| KT6828300001 | 9    | 3      | KT9030600086 | 15   | 3      | KT9046100086 | 10   | 3      | KT90583000   | 23   | 12     |
| KT6828400001 | 9    | 2      | KT9032500094 | 4    | 13     | KT9046300061 | 10   | 7      | KT9058410061 | 17   | 6      |
| KT68312000   | 3    | 17     | KT9033100094 | 4    | 1      | KT9046400061 | 10   | 4      | KT9058510061 | 17   | 7      |
| KT6865600094 | 14   | 5      | KT9033200001 | 4    | 8      | KT9046510061 | 2    | 1      | KT9058610094 | 18   | 12     |
| KT6865600094 | 15   | 7      | KT9033300094 | 4    | 9      | KT9046600061 | 3    | 15     | KT9058710094 | 18   | 14     |
| KT6865820094 | 14   | 15     | KT9033400094 | 4    | 10     | KT9046700061 | 3    | 14     | KT9059210094 | 18   | 7      |
| KT6865820094 | 15   | 17     | KT9033600094 | 19   | 9      | KT9046800061 | 3    | 13     | KT9059300061 | 17   | 4      |
| KT6953600061 | 8    | 21     | KT9033700094 | 19   | 8      | KT9046900061 | 8    | 25     | KT9059410094 | 18   | 1      |
| KT69540000   | 8    | 20     | KT9033800094 | 19   | 6      | KT9047100094 | 8    | 3      | KT9059710094 | 18   | 2      |
| KT69708000   | 14   | 16     | KT9033900094 | 19   | 7      | KT9047200061 | 2    | 12     | KT9062700061 | 24   | 17     |
| KT69708000   | 15   | 22     | KT9034000094 | 19   | 5      | KT9047300061 | 2    | 8      | KT9062800061 | 24   | 16     |
| KT6975410094 | 19   | 16     | KT9034100094 | 19   | 4      | KT9047600086 | 10   | 2      | KT9062900061 | 12   | 48     |
| KT6975510094 | 19   | 14     | KT9034200094 | 19   | 10     | KT9047710086 | 10   | 1      | KT9063000061 | 8    | 7      |
| KT6989900094 | 24   | 2      | KT9034300094 | 19   | 19     | KT9047900094 | 2    | 3      | KT9063200094 | 24   | 18     |
| KT7047400094 | 24   | 4      | KT9034400094 | 8    | 4      | KT9048000094 | 2    | 17     | KT9063710094 | 18   | 11     |
| KT7047500094 | 24   | 3      | KT9034500086 | 8    | 24     | KT9048200061 | 2    | 9      | KT9063800061 | 24   | 12     |
| KT7048100061 | 24   | 11     | KT9034700086 | 10   | 5      | KT9048300094 | 2    | 11     | KT9064210094 | 17   | 2      |
| KT7048210094 | 24   | 8      | KT9034800061 | 10   | 9      | KT9049000094 | 8    | 2      | KT9064410094 | 17   | 1      |
| KT7048310094 | 24   | 9      | KT9034910086 | 8    | 10     | KT9049900094 | 3    | 4      | KT90654000   | 6    | 9      |
| KT7048400094 | 24   | 7      | KT9035200061 | 8    | 16     | KT9050000094 | 3    | 3      | KT90655000   | 6    | 17     |

4236LT / Part No Index



| Part No.     | Page | Pos No | Part No.     | Page | Pos No | Part No.   | Page | Pos No | Part No.   | Page | Pos No |
|--------------|------|--------|--------------|------|--------|------------|------|--------|------------|------|--------|
| KT9065800061 | 6    | 12     | KT9087800061 | 2    | 7      | KT99244499 | 21   | 16     | KT99255121 | 5    | 33     |
| KT90662000   | 6    | 8      | KT9088000061 | 17   | 13     | KT99244501 | 21   | 18     | KT99255122 | 5    | 34     |
| KT90667000   | 6    | 1      | KT9088100061 | 4    | 29     | KT99244506 | 12   | 47     | KT99255122 | 12   | 41     |
| KT90677000   | 7    | 10     | KT9089700061 | 2    | 20     | KT99244511 | 14   | 12     | KT99255123 | 5    | 35     |
| KT90678000   | 7    | 4      | KT9089900061 | 4    | 30     | KT99244511 | 15   | 29     | KT99255123 | 12   | 31     |
| KT90687000   | 6    | 6      | KT9094100061 | 2    | 23     | KT99255001 | 5    | 49     | KT99255124 | 5    | 36     |
| KT90688000   | 6    | 13     | KT99125012   | 4    | 6      | KT99255003 | 12   | 46     | KT99255125 | 5    | 38     |
| KT9069000061 | 2    | 16     | KT99158065   | 3    | 12     | KT99255100 | 5    | 1      | KT99255126 | 5    | 39     |
| KT9072900064 | 3    | 1      | KT99158066   | 4    | 17     | KT99255101 | 5    | 2      | KT99255127 | 5    | 42     |
| KT9073100064 | 3    | 2      | KT99158084   | 14   | 23     | KT99255102 | 5    | 3      | KT99255128 | 5    | 44     |
| KT9074600094 | 4    | 24     | KT99158084   | 15   | 5      | KT99255103 | 5    | 4      | KT99255129 | 5    | 46     |
| KT9074700094 | 4    | 25     | KT99158088   | 2    | 2      | KT99255104 | 5    | 5      | KT99255129 | 12   | 45     |
| KT9074800094 | 4    | 20     | KT99158090   | 4    | 3      | KT99255105 | 5    | 6      | KT99255130 | 5    | 47     |
| KT9074900061 | 4    | 27     | KT99160045   | 2    | 6      | KT99255106 | 5    | 7      | KT99255131 | 5    | 806    |
| KT9075000061 | 4    | 23     | KT99160047   | 2    | 13     | KT99255107 | 5    | 11     | KT99255132 | 5    | 807    |
| KT9075100061 | 4    | 16     | KT99202435   | 9    | 1      | KT99255107 | 12   | 21     | KT99255133 | 5    | 808    |
| KT9077200094 | 19   | 13     | KT99244472   | 20   | 8      | KT99255108 | 5    | 12     | KT99255134 | 5    | 809    |
| KT90783000   | 1    | 17     | KT99244473   | 20   | 10     | KT99255108 | 12   | 22     | KT99255135 | 5    | 810    |
| KT9078900061 | 8    | 26     | KT99244474   | 21   | 9      | KT99255109 | 5    | 13     | KT99255136 | 5    | 822    |
| KT9079000061 | 8    | 23     | KT99244475   | 20   | 1      | KT99255110 | 5    | 14     | KT99255137 | 5    | 823    |
| KT9081000094 | 8    | 30     | KT99244476   | 20   | 14     | KT99255111 | 5    | 15     | KT99255137 | 12   | 810    |
| KT9081100094 | 8    | 19     | KT99244477   | 20   | 15     | KT99255112 | 5    | 16     | KT99255138 | 5    | 824    |
| KT9081200061 | 8    | 32     | KT99244478   | 21   | 13     | KT99255113 | 5    | 17     | KT99255138 | 12   | 812    |
| KT90826000   | 18   | 8      | KT99244479   | 22   | 2      | KT99255114 | 5    | 18     | KT99255139 | 5    | 825    |
| KT90827000   | 18   | 4      | KT99244480   | 20   | 4      | KT99255115 | 5    | 19     | KT99255139 | 12   | 813    |
| KT90828000   | 18   | 6      | KT99244481   | 21   | 22     | KT99255115 | 12   | 36     | KT99255140 | 5    | 826    |
| KT90831000   | 17   | 3      | KT99244481   | 22   | 1      | KT99255116 | 5    | 20     | KT99255140 | 12   | 814    |
| KT9083200061 | 18   | 13     | KT99244485   | 4    | 21     | KT99255116 | 12   | 35     | KT99255141 | 5    | 827    |
| KT9083300061 | 18   | 9      | KT99244495   | 21   | 1      | KT99255117 | 5    | 21     | KT99255142 | 5    | 828    |
| KT9083400061 | 18   | 3      | KT99244496   | 21   | 10     | KT99255118 | 5    | 29     | KT99255142 | 12   | 833    |
| KT9083500061 | 18   | 5      | KT99244497   | 21   | 25     | KT99255119 | 5    | 30     | KT99255143 | 5    | 829    |
| KT9085300097 | 8    | 18     | KT99244498   | 4    | 22     | KT99255120 | 5    | 32     | KT99255143 | 12   | 832    |
| KT90860000   | 18   | 10     | KT99244498   | 21   | 4      | KT99255120 | 12   | 40     | KT99255144 | 5    | 830    |

## 4236LT / Part No Index

| Part No.   | Page | Pos No | Part No.   | Page | Pos No | Part No.   | Page | Pos No |
|------------|------|--------|------------|------|--------|------------|------|--------|
| KT99255144 | 12   | 830    | KT99307775 | 6    | 4      | KT99413148 | 3    | 6      |
| KT99255145 | 5    | 831    | KT99307863 | 13   | 36     | KT99417025 | 14   | 24     |
| KT99255147 | 12   | 1      | KT99308824 | 14   | 19     | KT99417025 | 15   | 6      |
| KT99255148 | 12   | 5      | KT99308824 | 15   | 14     | KT99420109 | 13   | 19     |
| KT99255149 | 12   | 6      | KT99308826 | 14   | 7      | KT99420125 | 13   | 12     |
| KT99255150 | 12   | 7      | KT99308826 | 15   | 21     | KT99420238 | 13   | 8      |
| KT99255151 | 12   | 8      | KT99331901 | 2    | 21     | KT99420286 | 13   | 24     |
| KT99255152 | 12   | 9      | KT99331901 | 4    | 26     | KT99421068 | 13   | 16     |
| KT99255153 | 12   | 10     | KT99331901 | 17   | 9      | KT99428514 | 7    | 7      |
| KT99255154 | 12   | 11     | KT99350537 | 4    | 5      | KT99428537 | 6    | 26     |
| KT99255155 | 12   | 20     | KT99354122 | 13   | 23     | KT99432066 | 1    | 8      |
| KT99255156 | 12   | 23     | KT99402007 | 6    | 16     | KT99432375 | 1    | 7      |
| KT99255157 | 12   | 26     | KT99402113 | 6    | 3      | KT99434056 | 1    | 6      |
| KT99255158 | 12   | 27     | KT99402114 | 6    | 14     | KT99434601 | 1    | 14     |
| KT99255159 | 12   | 28     | KT99402119 | 7    | 6      | KT99434602 | 1    | 15     |
| KT99255160 | 12   | 30     | KT99402353 | 7    | 9      | KT99434603 | 1    | 12     |
| KT99255161 | 12   | 37     | KT99402904 | 6    | 18     | KT99452096 | 17   | 11     |
| KT99255162 | 12   | 38     | KT99402921 | 6    | 11     | KT99457134 | 13   | 37     |
| KT99255163 | 12   | 75     | KT99402922 | 6    | 22     | KT99457135 | 13   | 29     |
| KT99255164 | 12   | 76     | KT99402941 | 6    | 20     | KT99458109 | 13   | 32     |
| KT99255165 | 12   | 800    | KT99403015 | 6    | 7      | KT99458238 | 17   | 8      |
| KT99255166 | 12   | 802    | KT99403211 | 6    | 15     | KT99458332 | 23   | 5      |
| KT99255167 | 12   | 803    | KT99403220 | 7    | 3      | KT99462633 | 13   | 30     |
| KT99255168 | 12   | 820    | KT99403221 | 7    | 5      | KT99462718 | 13   | 31     |
| KT99255169 | 12   | 822    | KT99403239 | 6    | 10     | KT99474330 | 23   | 11     |
| KT99255170 | 12   | 823    | KT99404242 | 6    | 2      | KT99474335 | 23   | 6      |
| KT99255171 | 12   | 824    | KT99407008 | 7    | 11     | KT99474336 | 23   | 7      |
| KT99255172 | 12   | 834    | KT99407410 | 6    | 23     | KT99477136 | 23   | 13     |
| KT99255173 | 12   | 840    | KT99408914 | 6    | 5      | KT99477137 | 23   | 9      |
| KT99255174 | 12   | 841    | KT99408934 | 6    | 25     | KT99477138 | 23   | 8      |
| KT99255175 | 12   | 842    | KT99408943 | 6    | 24     | KT99478196 | 23   | 14     |
| KT99302819 | 13   | 33     | KT99413144 | 7    | 2      | KT99478389 | 23   | 4      |
| KT99307773 | 2    | 22     | KT99413147 | 3    | 5      | VF06215672 | 17   | 10     |

**taarup**

## 4236LT

398.979 < Mach. ID <=

Kverneland Group Kerteminde AS  
Taarupstrandvej 25  
DK-5300 Kerteminde  
Denmark  
+45 65 19 19 00  
+45 65 19 19 99  
[info.kerteminde@kverneland.com](mailto:info.kerteminde@kverneland.com)

© Kverneland Group

All rights reserved. No parts of this book may be reproduced, stored in a database or retrieval system, or published in any form or in any way, electronically, mechanically, optically, by print, photo print, microfilm (including micro and macro fiche), or any other means, including all video and CD systems, without prior written permission from the publisher.

Print date: 2007-02-28

